

Trusted. Tested. Tough.®

Product information presented here reflects conditions at time of publication. Consult factory regarding discrepancies or inconsistencies.



SECTION: Z5.30.500

ZM2227

0422

Supersedes

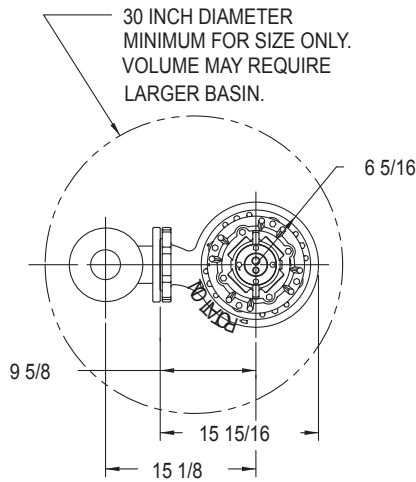
0614

MAIL TO: P.O. BOX 16347 • Louisville, KY 40256-0347
 SHIP TO: 3649 Cane Run Road • Louisville, KY 40211-1961
 (502) 778-2731 • 1 (800) 928-PUMP • FAX (502) 774-3624

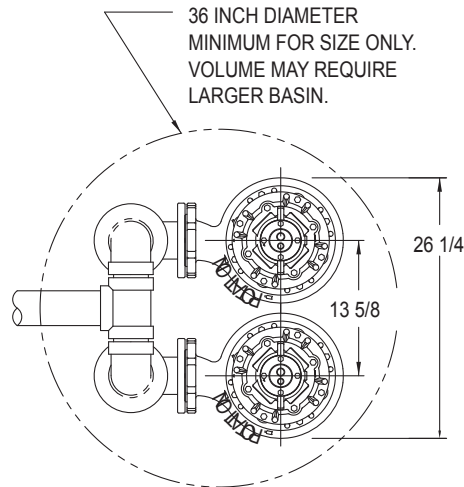
Visit our website:
zoellerengineered.com



X61 HD SERIES DIMENSIONAL DATA 3" Flanged Horizontal Discharge Units Floor Mounted



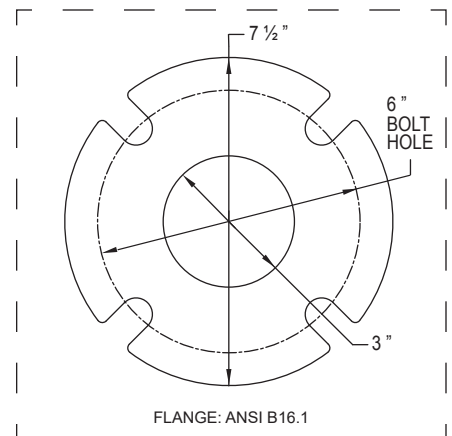
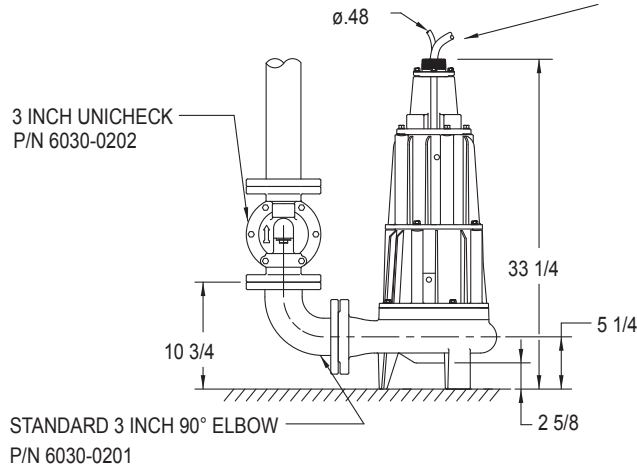
SIMPLEX INSTALLATION



DUPLEX INSTALLATION

DIMENSIONS BASED ON STANDARD ANSI FITTING SIZES
 CHECK VALVES REQUIRED, NOT SHOWN FOR CLARITY
 ALL DIMENSIONS IN INCHES UNLESS OTHERWISE NOTED

FLA	DIAMETER
<20	.68
≥20	.96



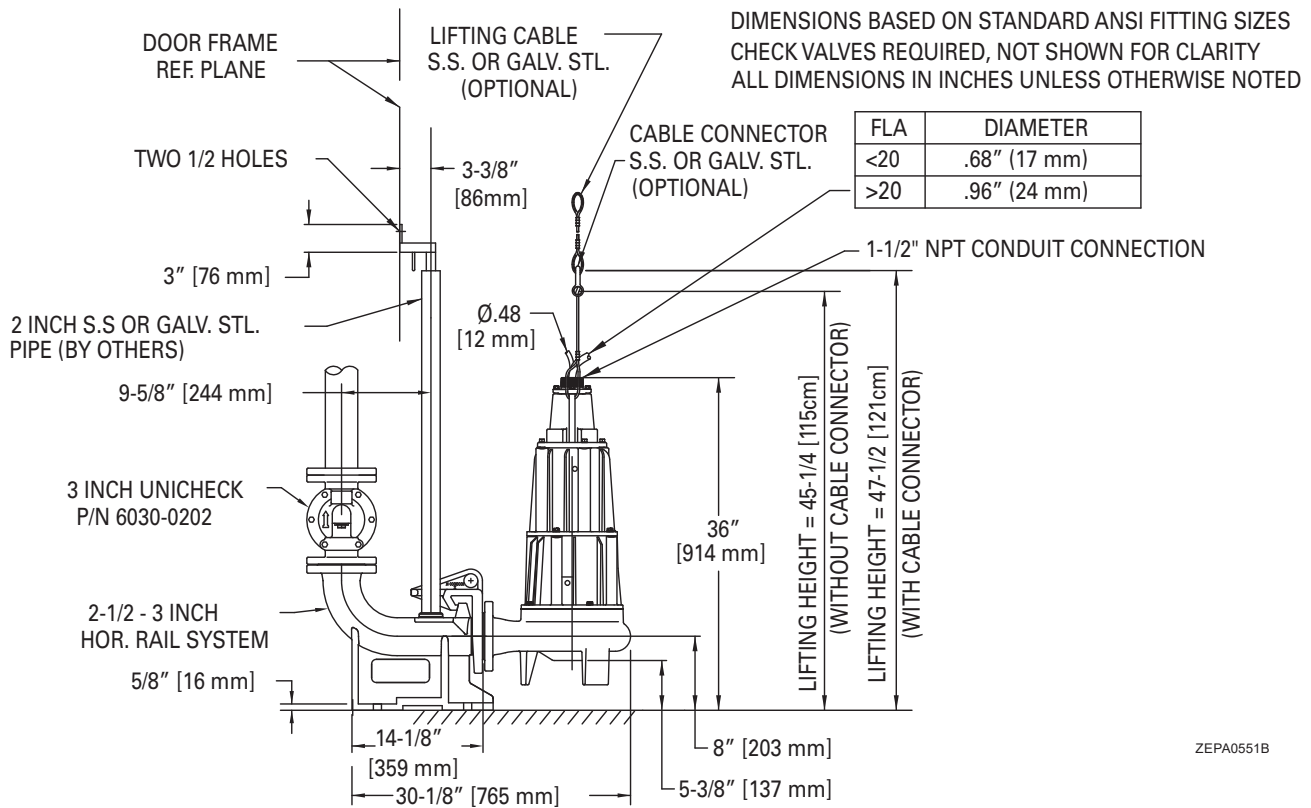
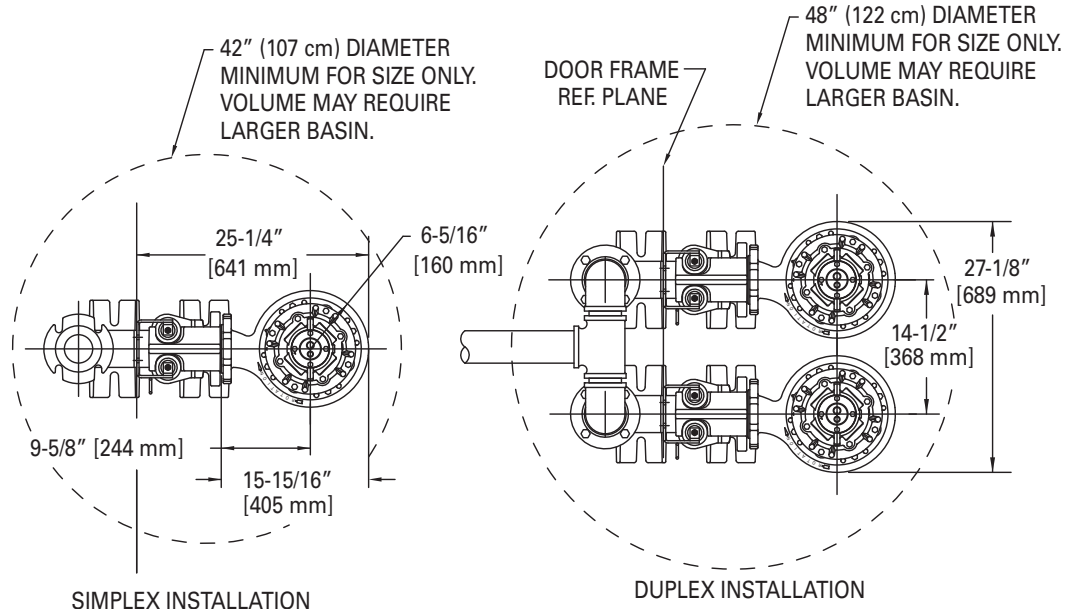
ZEPA0547B

See Reverse Side for "Rail Mounted"

X61 HD SERIES

DIMENSIONAL DATA

3" Flanged Horizontal Discharge Units
P/N 39-0095 Rail Mounted



ZEPA0551B