

Trusted. Tested. Tough.™

Product information presented here reflects conditions at time of publication. Consult factory regarding discrepancies or inconsistencies.



SECTION: Z4.30.130

ZM2230

0712

Supersedes

1109

MAIL TO: P.O. BOX 16347 • Louisville, KY 40256-0347
SHIP TO: 3649 Cane Run Road • Louisville, KY 40211-1961
 (502) 778-2731 • 1 (800) 928-PUMP • **FAX** (502) 774-3624

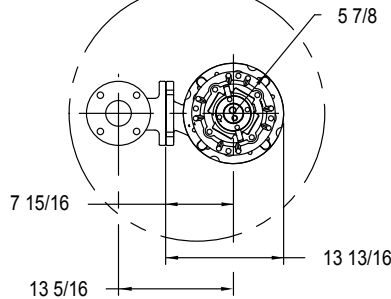
visit our web site:
zoellerengineered.com



X71 HAZARDOUS ENVIRONMENT SERIES
CLASS I, DIVISION 1, GROUPS C & D
GRINDER PUMP DIMENSIONAL DATA
3, 5, & 7½ HP - 3450 RPM
2½" Flanged Horizontal Discharge Units
Floor Mounted

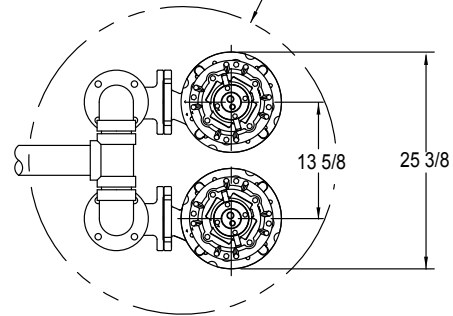


30 INCH DIAMETER
 MINIMUM FOR SIZE ONLY.
 VOLUME MAY REQUIRE
 LARGER BASIN.



SIMPLEX INSTALLATION

36 INCH DIAMETER
 MINIMUM FOR SIZE ONLY.
 VOLUME MAY REQUIRE
 LARGER BASIN.

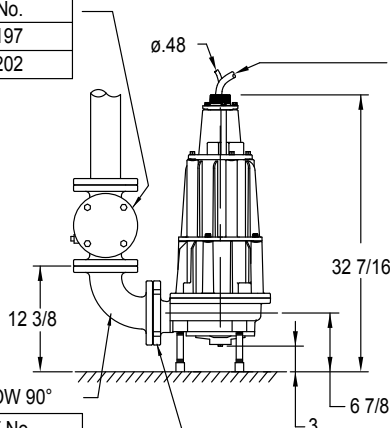


DUPLEX INSTALLATION

DIMENSIONS BASED ON STANDARD ANSI FITTING SIZES
 CHECK VALVES REQUIRED, NOT SHOWN FOR CLARITY
 ALL DIMENSIONS IN INCHES UNLESS OTHERWISE NOTED

CHECK VALVE

SIZE	PART No.
2 1/2	6030-0197
3	6030-0202



FLA DIAMETER

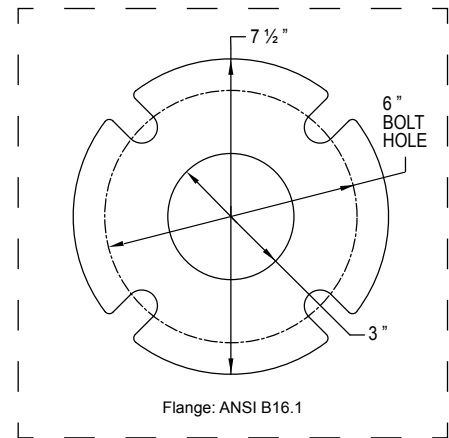
<20	.68
>20	.96

FLANGED ELBOW 90°

SIZE	PART No.
2 1/2	6030-0200
3	6030-0201

PUMP FLANGE FITS EITHER 2 1/2 INCH OR
 3 INCH STANDARD ANSI 125 LB. FLANGE

ZEPA0553A



See Reverse Side for "Rail Mounted"



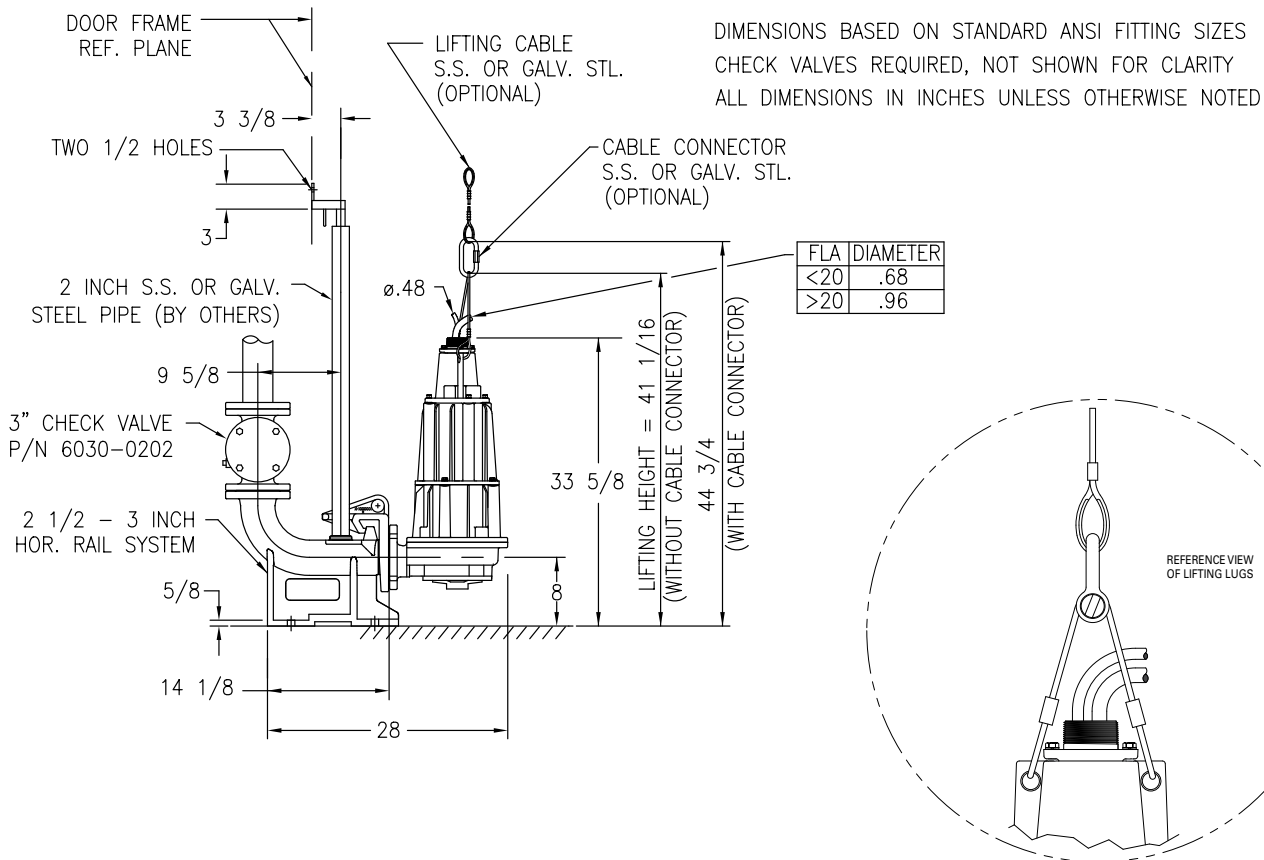
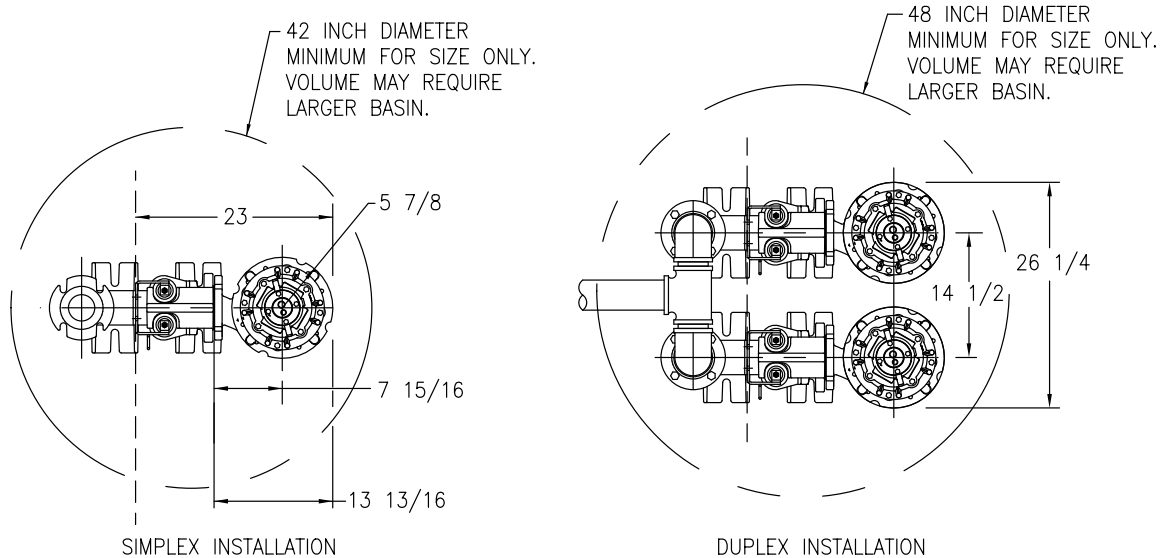
X71 HAZARDOUS ENVIRONMENT SERIES

CLASS I, DIVISION 1, GROUPS C & D

GRINDER PUMP DIMENSIONAL DATA



3, 5, & 7½ HP - 3450 RPM
 2½" Flanged Horizontal Discharge Units
 P/N 39-0095 Rail Mounted



ZEPA0554

ZEPA0570

See Reverse Side for "Floor Mounted"