

Trusted. Tested. Tough.®



SECTION: 25.50.300

ZM3050

0524

Supersedes

0118

MAIL TO: P.O. BOX 16347 • Louisville, KY 40256-0347  
 SHIP TO: 3649 Cane Run Road • Louisville, KY 40211-1961  
 Tel: (502) 778-2731 • 1 (800) 928-PUMP

Visit our website:  
 zoellerengineered.com

Product information presented here reflects conditions at time of publication. Consult factory regarding discrepancies or inconsistencies.



## X64HD HAZARDOUS LOCATION SERIES

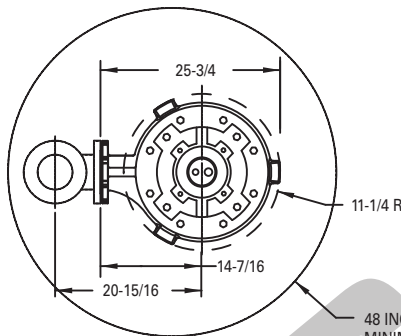
### DIMENSIONAL DATA

CLASS I, DIVISION 1, GROUPS C & D

4" Flanged Horizontal Discharge Units

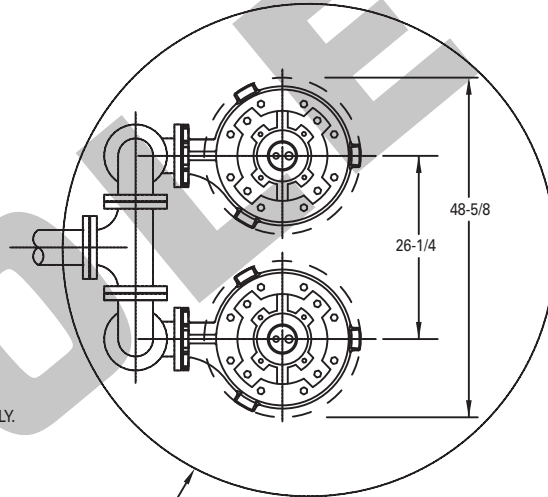
Floor Mounted

MODELS: X6424- X6428



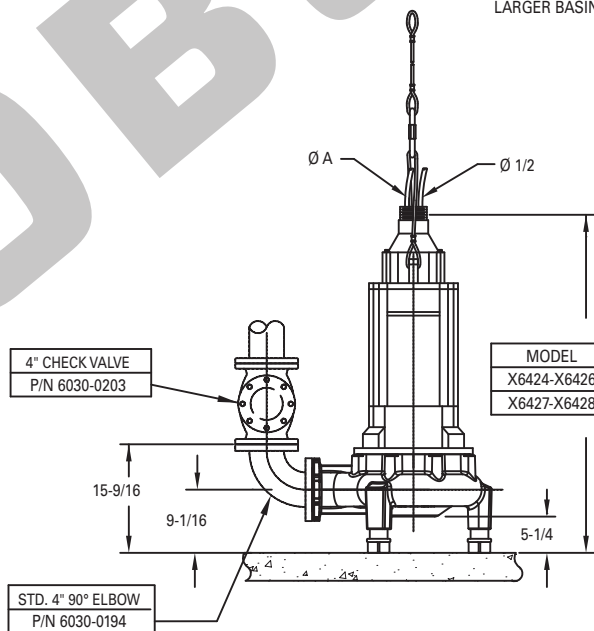
SIMPLEX INSTALLATION

48 INCH DIAMETER  
 MINIMUM FOR SIZE ONLY.  
 VOLUME MAY REQUIRE  
 LARGER BASINS.

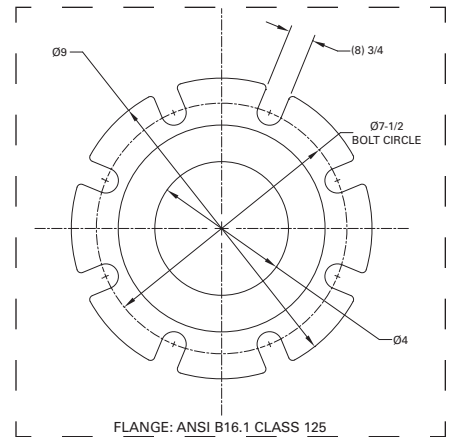


72 INCH DIAMETER  
 MINIMUM FOR SIZE ONLY.  
 VOLUME MAY REQUIRE  
 LARGER BASINS.

DUPLEX INSTALLATION  
 DIMENSIONS BASED ON STD. ANSI FITTING SIZES  
 CHECK VALVES REQUIRED, NOT SHOWN FOR CLARITY



MODEL	OVERALL HEIGHT
X6424-X6426	48-11/32
X6427-X6428	55-19/32



FLANGE: ANSI B16.1 CLASS 125

MODEL	X6424	X6425	X6426	X6427	X6428
HP	25	30	40	50	60
DIM.	"A"	"A"	"A"	"A"	"A"
230V	1.35±.100	1.55±.100	1.55±.100	-	-
460V	.985±.100	.985±.100	1.125±.100	1.35±.100	1.55±.100
575V	.985±.100	.985±.100	.985±.100	1.125±.100	1.35±.100

SK3167

All dimensions in inches unless otherwise noted.

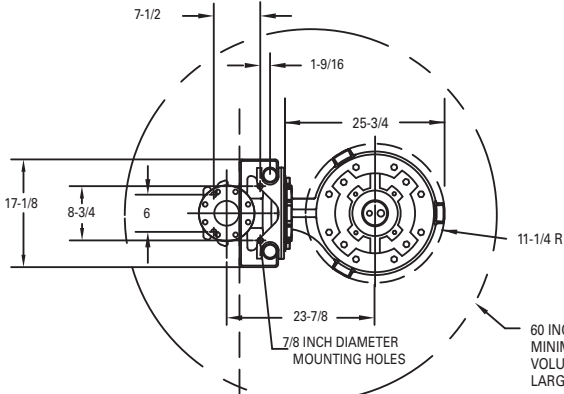
See Reverse Side for "Rail Mounted"

© Copyright 2024 Zoeller® Co. All rights reserved.



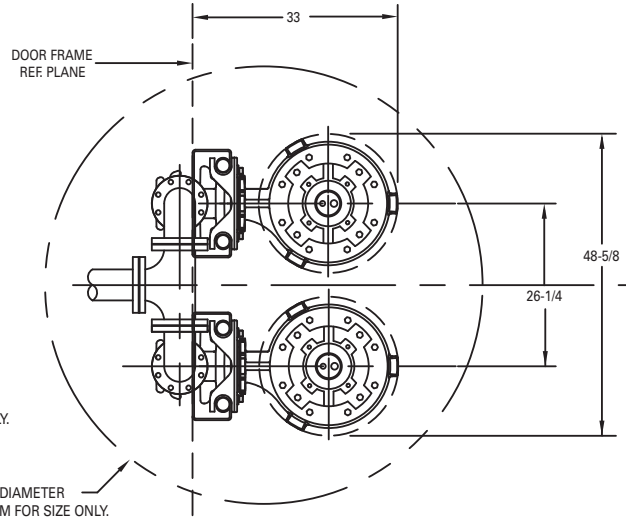
# X64HD HAZARDOUS LOCATION SERIES

## DIMENSIONAL DATA CLASS I, DIVISION 1, GROUPS C & D 4" Flanged Horizontal Discharge Units P/N 39-0155 - 4" Rail Mounted MODELS: X6424- X6428



DOOR FRAME REF. PLANE  
SIMPLEX INSTALLATION

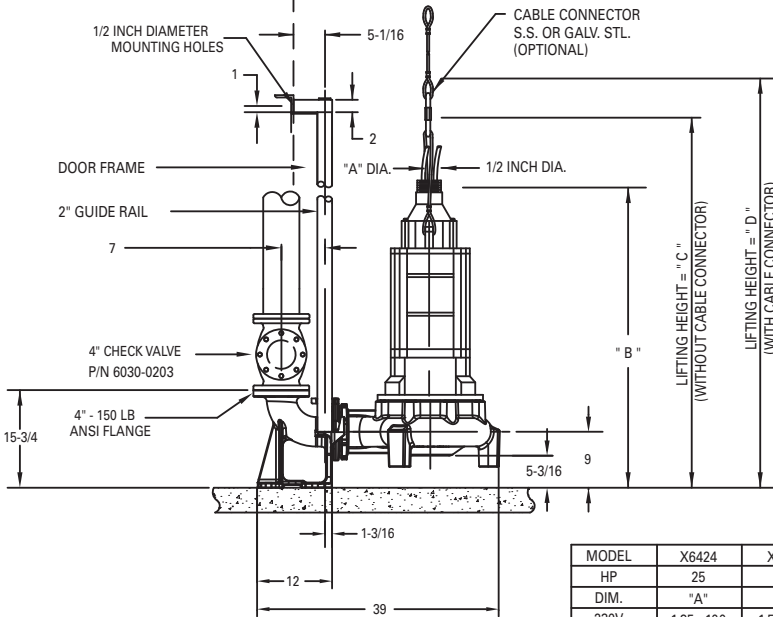
60 INCH DIAMETER  
MINIMUM FOR SIZE ONLY.  
VOLUME MAY REQUIRE  
LARGER BASINS.



72 INCH DIAMETER  
MINIMUM FOR SIZE ONLY.  
VOLUME MAY REQUIRE  
LARGER BASINS.

DUPLEX INSTALLATION

DIMENSIONS BASED ON STD. ANSI FITTING SIZES  
CHECK VALVES REQUIRED, NOT SHOWN FOR CLARITY



LIFTING HEIGHT = "C"  
(WITHOUT CABLE CONNECTOR)

LIFTING HEIGHT = "D"  
(WITH CABLE CONNECTOR)

MODEL	B	C	D
X6424-X6426	48-13/32	59-11/16	66
X6427-X6428	55-21/32	66-15/16	73-1/4

MODEL	X6424	X6425	X6426	X6427	X6428
HP	25	30	40	50	60
DIM.	"A"	"A"	"A"	"A"	"A"
230V	1.35±.100	1.55±.100	1.55±.100	-	-
460V	.985±.100	.985±.100	1.125±.100	1.35±.100	1.55±.100
575V	.985±.100	.985±.100	.985±.100	1.125±.100	1.35±.100

SK3166

All dimensions in inches unless otherwise noted.

See Reverse Side for "Floor Mounted"

© Copyright 2024 Zoeller® Co. All rights reserved.