

Trusted. Tested. Tough.®



SECTION: Z5.50.400

ZM3051

0524

Supersedes

0118

MAIL TO: P.O. BOX 16347 • Louisville, KY 40256-0347
 SHIP TO: 3649 Cane Run Road • Louisville, KY 40211-1961
 Tel: (502) 778-2731 • 1 (800) 928-PUMP

Visit our website:
 zoellerengineered.com

Product information presented here reflects conditions at time of publication. Consult factory regarding discrepancies or inconsistencies.



X64HD HAZARDOUS LOCATION SERIES

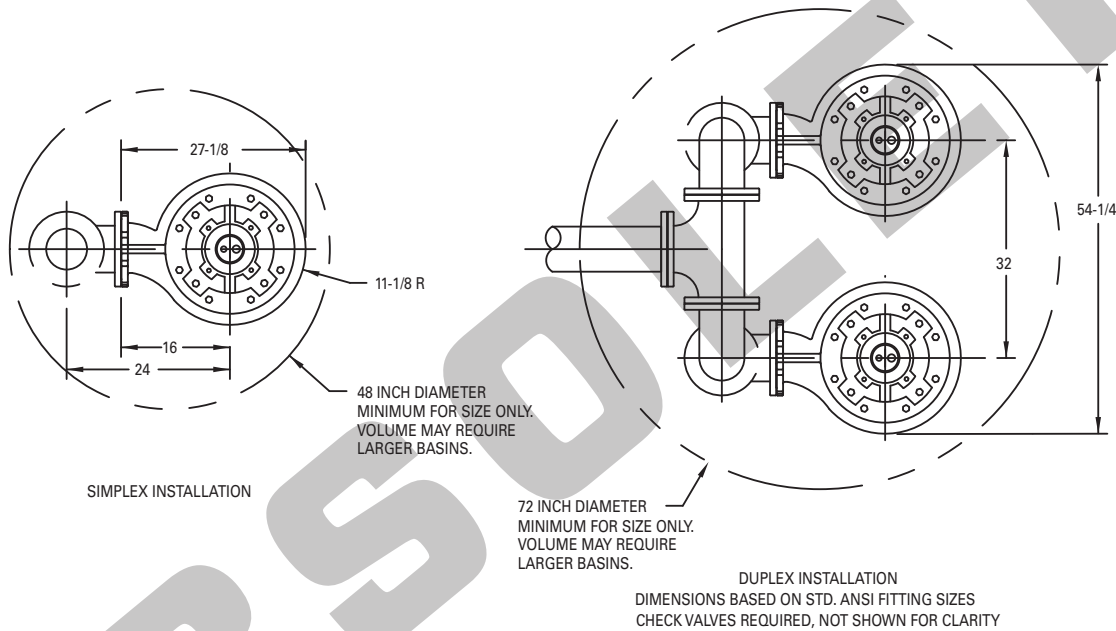
DIMENSIONAL DATA

CLASS I, DIVISION 1, GROUPS C & D

6" Flanged Horizontal Discharge Units

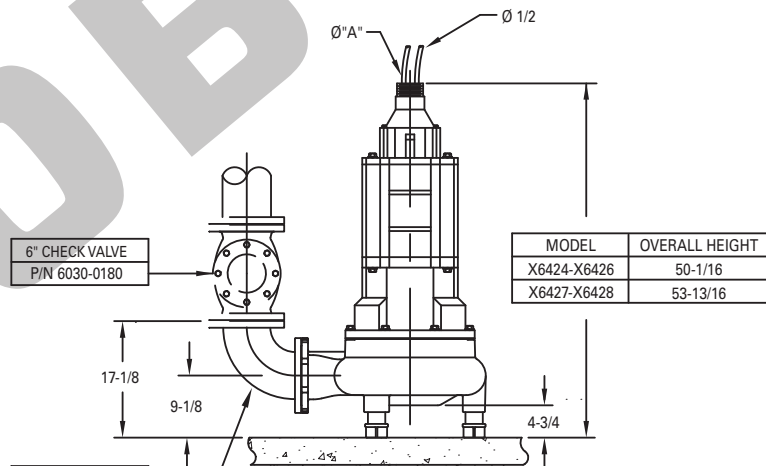
Floor Mounted

MODELS: X6424- X6428

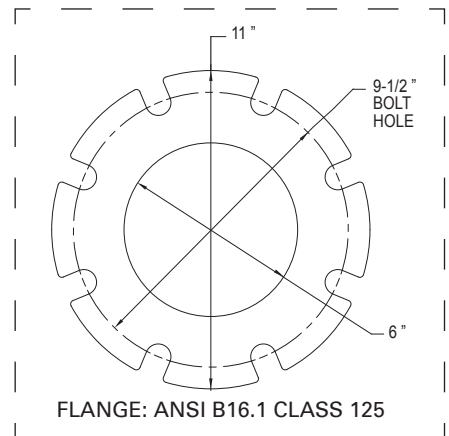


SIMPLEX INSTALLATION

DUPLEX INSTALLATION
 DIMENSIONS BASED ON STD. ANSI FITTING SIZES
 CHECK VALVES REQUIRED, NOT SHOWN FOR CLARITY



MODEL	OVERALL HEIGHT
X6424-X6426	50-1/16
X6427-X6428	53-13/16



MODEL	X6424	X6425	X6426	X6427	X6428
HP	25	30	40	50	60
DIM.	"A"	"A"	"A"	"A"	"A"
230V	1.35±.100	1.55±.100	1.55±.100	-	-
460V	.985±.100	.985±.100	1.125±.100	1.35±.100	1.55±.100
575V	.985±.100	.985±.100	.985±.100	1.125±.100	1.35±.100

ZEPA0443

All dimensions in inches unless otherwise noted.

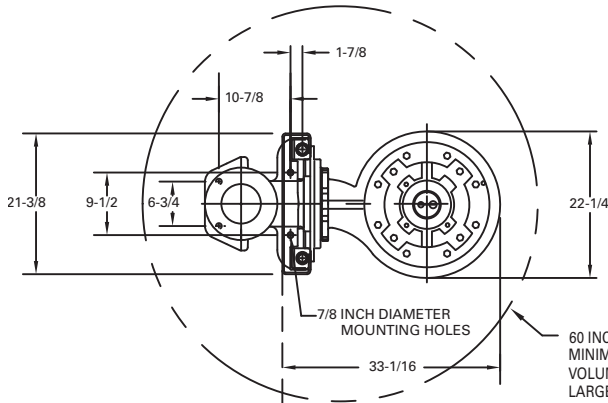
See Reverse Side for "Rail Mounted"

© Copyright 2024 Zoeller® Co. All rights reserved.

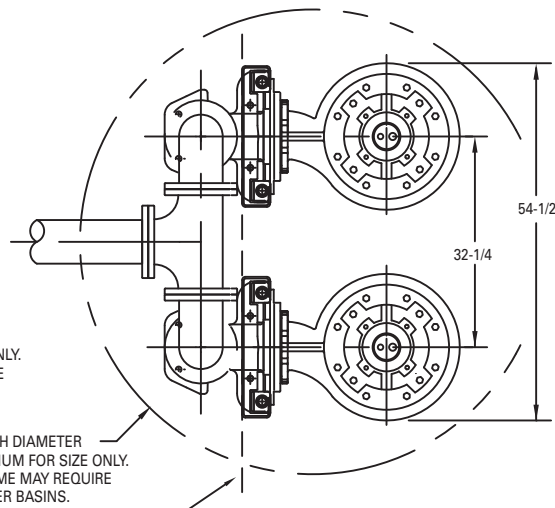


X64HD HAZARDOUS LOCATION SERIES

DIMENSIONAL DATA
 CLASS I, DIVISION 1, GROUPS C & D
 6" Flanged Horizontal Discharge Units
 P/N 6039-0073 - 6" Rail Mounted
 MODELS: X6424- X6428



60 INCH DIAMETER
 MINIMUM FOR SIZE ONLY.
 VOLUME MAY REQUIRE
 LARGER BASINS.



72 INCH DIAMETER
 MINIMUM FOR SIZE ONLY.
 VOLUME MAY REQUIRE
 LARGER BASINS.

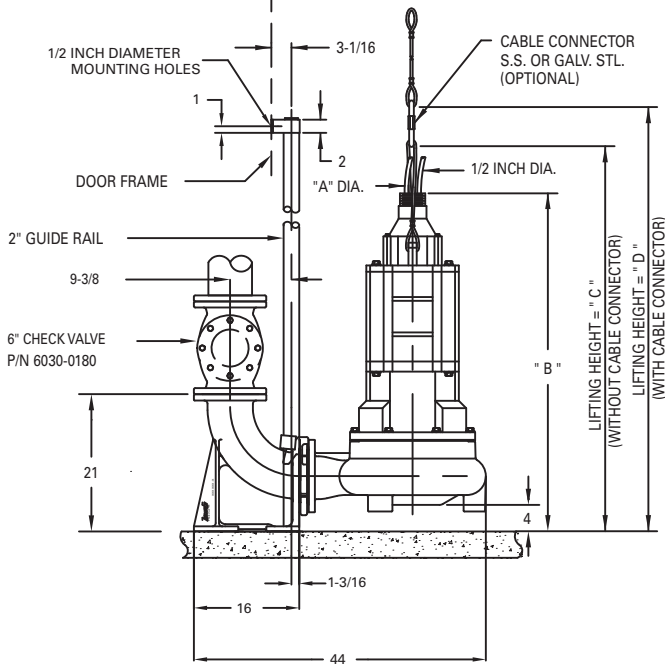
DOOR FRAME
 REF. PLANE

SIMPLEX INSTALLATION

DOOR FRAME
 REF. PLANE

DUPLEX INSTALLATION

DIMENSIONS BASED ON STD. ANSI FITTING SIZES
 CHECK VALVES REQUIRED, NOT SHOWN FOR CLARITY



CABLE CONNECTOR
 S.S. OR GALV. STL.
 (OPTIONAL)

LIFTING HEIGHT = "C"
 (WITHOUT CABLE CONNECTOR)
 LIFTING HEIGHT = "D"
 (WITH CABLE CONNECTOR)

MODEL	B	C	D
X6424-X6426	49-5/16	55-3/4	60-1/4
X6427-X6428	53	59-1/2	66-3/4

MODEL	X6424	X6425	X6426	X6427	X6428
HP	25	30	40	50	60
DIM.	"A"	"A"	"A"	"A"	"A"
230V	1.35±.100	1.55±.100	1.55±.100	-	-
460V	.985±.100	.985±.100	1.125±.100	1.35±.100	1.55±.100
575V	.985±.100	.985±.100	.985±.100	1.125±.100	1.35±.100

ZEPA0445

All dimensions in inches unless otherwise noted.

See Reverse Side for "Floor Mounted"