

Trusted. Tested. Tough.®



Z1.10.300
ZM1372
0524
Supersedes
1223

MAIL TO: P.O. BOX 16347 • Louisville, KY 40256-0347
SHIP TO: 3649 Cane Run Road • Louisville, KY 40211-1961
Tel: (502) 778-2731 • 1 (800) 928-PUMP

Visit our website:
zoellerengineered.com

Product information presented here reflects conditions at time of publication. Consult factory regarding discrepancies or inconsistencies.



6160 SERIES COMMERCIAL EFFLUENT PUMPS TECHNICAL DATA



	<input type="checkbox"/> 6161	<input type="checkbox"/> 6163
PUMP NAME PLATE HORSEPOWER:	1/2 HP	1/2 HP
SOLID SIZE: in (mm)	3/4" (19mm)	3/4" (19mm)
MINIMUM HEAD: ft. (m)	5.0' (1.5m)	5.0' (1.5m)
MAXIMUM HEAD: ft. (m)	56' (17.1m)	66' (20.1m)
MAX.FLOW GPM (L/min) @ MIN. HEAD ft. (m)	100 GPM @ 5' (379 L/min @ 1.5m)	61 GPM @ 5' (231 L/min @ 1.5m)
DISCHARGE SIZE: VERTICAL FEMALE	<input type="checkbox"/> 1-1/2" NPT <input type="checkbox"/> 2" NPT <input type="checkbox"/> 3" NPT	<input type="checkbox"/> 1-1/2" NPT <input type="checkbox"/> 2" NPT <input type="checkbox"/> 3" NPT

PUMP NET WEIGHT: lbs (kg)	87 lbs (39 kg)	MOTOR TYPE:	SUBMERSIBLE
SERVICE FACTOR:	1.0	TYPE SOW POWER CORD LENGTH: ft (m)	25' (7.62m) <input type="checkbox"/> 50' (15.24m)
MOTOR DESIGN LETTER:	NEMA B	MOTOR SHAFT:	416 S.S.
IMPELLER TYPE:	CAST IRON VORTEX	STATOR INSULATION:	CLASS B
SQUARE RINGS:	VITON	LEAD WIRES INSULATION:	CLASS B
RPM:	3450	MAXIMUM STATOR TEMPERATURE:	266°F (130°C)

SHAFT SEAL CONSTRUCTION:	STANDARD	UPPER-CARBON / CERAMIC, LOWER-SILICON CARBIDE / CARBON	
	OPTIONAL	<input type="checkbox"/> UPPER	<input type="checkbox"/> SILICON CARBIDE / SILICON CARBIDE
		<input type="checkbox"/> LOWER	<input type="checkbox"/> SILICON CARBIDE / SILICON CARBIDE
MOTOR THERMAL SHUTOFF:	Standard (Single Phase Only)	THERMAL OVERLOAD SWITCH WITH AUTOMATIC RESET	
MOISTURE DETECTION:	<input type="checkbox"/> OPTIONAL*	MOISTURE SENSING PROBES	
MINIMUM FLUID LEVEL FOR CONTINUOUS OPERATIONS: in. (m)		24" (0.6 m)	
MAXIMUM WATER TEMPERATURE:		<input type="checkbox"/> 130 °F (54 °C)	

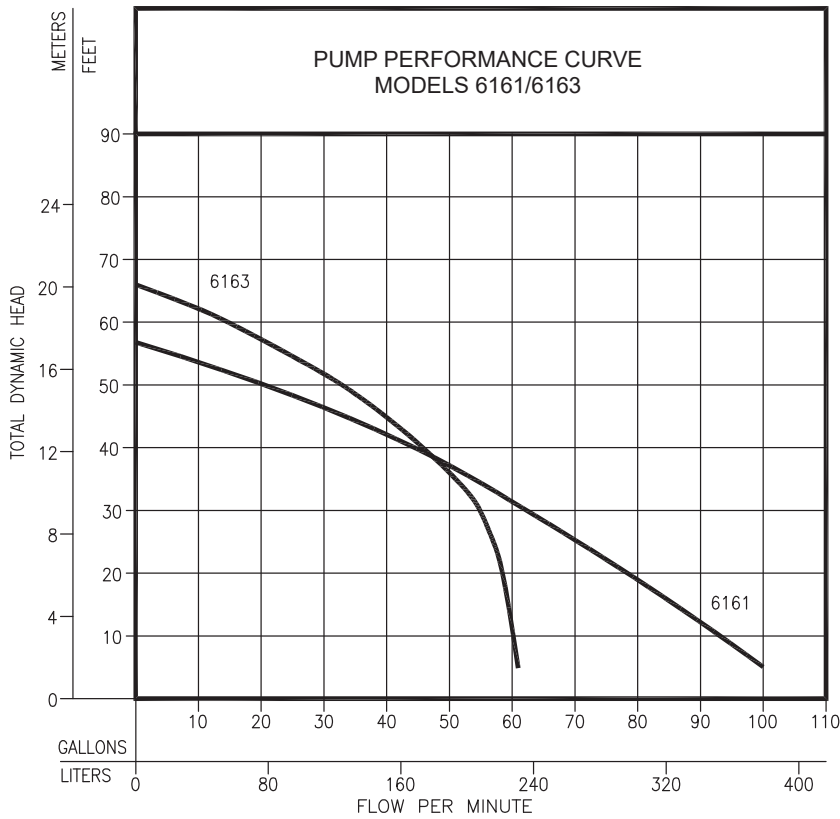
*Requires a circuit in control panel to function.

ELECTRICAL DATA

MODEL	HP	<input type="checkbox"/> 115V/1Ph		<input type="checkbox"/> 200V/3Ph		<input type="checkbox"/> 230V/3Ph		<input type="checkbox"/> 460V/3Ph	
		FLA	LRA	FLA	LRA	FLA	LRA	FLA	LRA
<input type="checkbox"/> 6161	1/2	15.5	31.2	6.4	23.0	5.2	12.5	2.9	12.4
<input type="checkbox"/> 6163	1/2	15.0	31.2	6.0	23.0	4.8	12.5	2.9	12.4

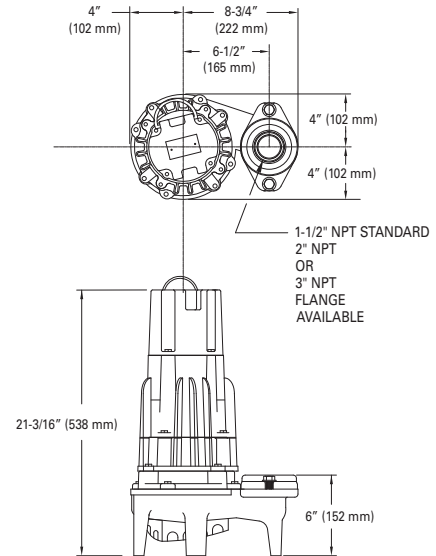
Refer to reverse side for Head/Capacity Performance Curves

© Copyright 2024 Zoeller® Co. All rights reserved.



009920

MODELS		6161		6163	
Feet	Meters	Gal.	Liters	Gal.	Liters
5	1.5	100	379	61	231
10	3.0	93	352	60	227
15	4.6	86	326	60	227
20	6.1	79	299	59	223
25	7.6	71	267	57	216
30	9.1	62	235	55	208
40	12.2	45	170	46	174
50	15.2	20	76	33	125
60	18.3	--	--	15	57
70	21.3	--	--	--	--
80	24.4	--	--	--	--
Shut-off Head:		56 ft. (17.1m)		66 ft. (20.1m)	



SK1413

Standard all models - 25 ft. cord - 1/2 H.P.				
6161 MODELS	Control Selection			Listings
	Volts	Ph	Amps	cCSAus
*N6161	115	1	15.5	Yes
J6161	200	3	6.4	Yes
F6161	230	3	5.2	Yes
G6161	460	3	2.9	Yes

Standard all models - 25 ft. cord - 1/2 H.P.				
6163 MODELS	Control Selection			Listings
	Volts	Ph	Amps	cCSAus
*N6163	115	1	15.5	Yes
J6163	200	3	6.0	Yes
F6163	230	3	4.8	Yes
G6163	460	3	2.9	Yes

* Molded Plug

Pumps are available with optional moisture sensors. Seal Fail indicator light available in NEMA 4X control panels.

FEATURES

- Durable epoxy coated cast iron construction
- Motor - 1/2 HP or 1 HP, 60 Hz, 3450 RPM, 1 PH or 3 PH, oil filled, hermetically sealed, automatic reset, thermal overload protected (1 PH)
- Bearings - upper and lower ball bearings
- Stainless steel motor shaft
- Dual mechanical shaft seals - upper carbon/ceramic, lower silicon carbide/carbon. Optional seal materials available
- Viton square ring seals
- Impeller - non-clogging cast iron vortex design passes 3/4" spherical solids
- 25 foot listed 3 wire neoprene cord and plug.
- No screens to clog
- Stainless steel screws, bolts and handle
- 1-1/2" NPT discharge with 2" or 3" flange available
- Corrosion resistant powder coated epoxy finish
- Moisture sensors available for early warning of seal failure. (Optional)
- 100% computerized tested

CAUTION

All installation of controls, protection devices and wiring should be done by a qualified licensed electrician. All electrical and safety codes should be followed including the most recent National Electric Code (NEC) and the Occupational Safety and Health Act (OSHA).