

MAIL TO: P.O. BOX 16347 • Louisville, KY 40256-0347
 SHIP TO: 3649 Cane Run Road • Louisville, KY 40211-1961
 Tel: (502) 778-2731 • 1 (800) 928-PUMP

Visit our website:
 zoellerengineered.com

Covered by US Patent Number 6,364,620.

Product information presented here reflects conditions at time of publication. Consult factory regarding discrepancies or inconsistencies.



62 HD SERIES

PRODUCT FEATURES

4" & 6" FLANGED DISCHARGE UNITS

Models: 6220 6221 6222 6223 6224



APPLICATIONS

- Engineered Lift Stations
- Storm Water Removal
- Wastewater Transfer
- Industrial Wastewater

SPECIFICATIONS

PUMP:

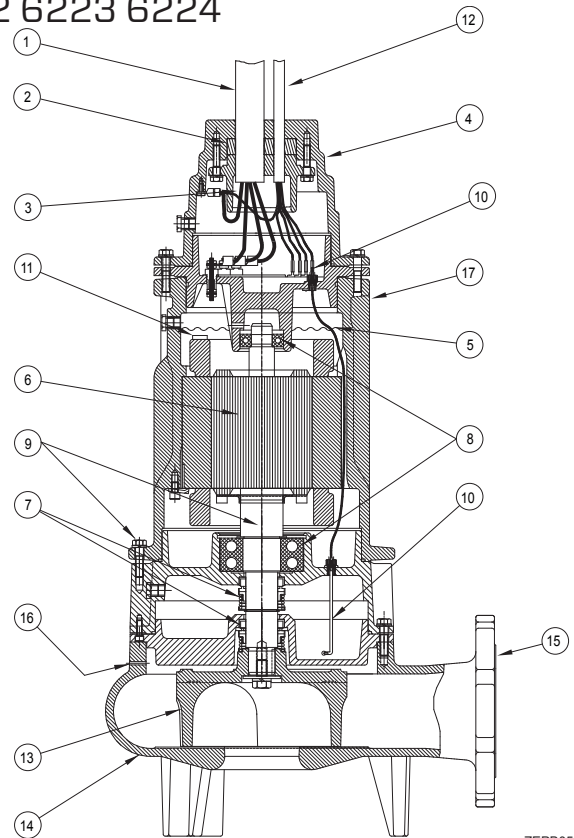
- Solids - 3" spherical capability
- Discharge Size - 4" & 6" horizontal flanged
- Seals - dual mechanical silicon carbide / silicon carbide lower and carbon ceramic upper, Buna-N elastomers.
- Construction - Cast Iron ASTM A-48, Class 30, 30,000# tensile strength, corrosion resistant powder coated epoxy finish
- Attaching Hardware - 304 stainless steel
- O-ring Elastomers - Buna-N
- Impeller - 2 blade semi-open Ductile Iron with top pump out vanes
- Moisture detection system
- Optional:
 - Silicon Carbide Seal
 - Viton O-ring Elastomers
 - Vortex Impeller
 - Trimmed Impeller
 - Additional Cord Length _____
 - Dry Pit Configuration (5-10 BHP, not CSA listed)
 - High Temperature Construction (5-10 BHP, not CSA listed)
 - Inverter Duty Motors (cCSAus certified for VPWM type Inverter - 30 Hz to 60 Hz max.)
 - Rail Systems

MOTOR:

- 1 Phase - 230 Volt, 1750 RPM (5 and 7.5 BHP)
- 3 Phase - 200/230/460 Volt, 1750 RPM
- 5 thru 20 BHP
- Stator - Class F insulation and lead wires NEMA B design
- Thermal sensor and leads.
- Housing - Class 30 cast iron, finned, oil-filled
- Ball Bearings - Dual high carbon chromium steel
- Power Cable Length - 25'

FEATURES

- 25' of extra heavy duty power cable
- Protected cable entrance. The compression grommet allows for field replacement of the cable. Optional: 3" heavy wall conduit threads for protection of cable assemblies.
- Potted cords. Each conductor individually sealed to eliminate cord wicking of liquids.
- Lifting lugs integral part of housing (not shown)
- Oil-filled motor housing with finned casting assures uniform heat distribution, lubricates bearings, and conducts heat for cooler running.
- Heavy duty motor features ball bearing construction. Class F motor insulation is double dipped and baked. End connections and lead wires are Class F. At maximum load, winding temperature will not exceed 250 °F with motor housing not submerged.
- Tandem seals, silicon carbide / silicon carbide lower and carbon ceramic upper, Buna-N elastomers.
- Upper and lower high carbon chromium steel ball bearings
- Stainless steel shaft and hardware resists corrosion
- Patented moisture detection system with upper and lower probes, protecting the motor from liquid entry.



ZEPB0578

- Thermal sensor provides protection against overheating
- 25' sensor cable
- Balanced 2 vane semi-open impeller with top pump out vanes for seal protection keyed and bolted to shaft. Recessed vortex design also available as an option.
- Concentric case reduces radial loading for longer bearing and seal life
- 4" or 6" flanged horizontal discharge. Dry pit units available upon request.
- Vent hole helps prevent air locking.
- Entire unit protected with a corrosion resistant powder coated epoxy finish

For additional information on the 62 HD Series pumps, refer to catalog on Performance information, ZM2348 and ZM2349; Dimensional Data information, ZM2311, ZM2312, ZM2313 and ZM2314; Guide Specifications, ZM2350; Replacement Parts List and Repair Manual, ZM2354 and Owner's Manual, ZM2353.

For information on additional Zoeller products refer to catalog on Rail Systems, ZM1347; Control Panels, ZM1342; Float Switches and Bracket, ZM1328; J-Boxes, ZM1536; Pump Lifting Cables ZM1347, Check Valves and Piping Accessories, ZM1348.