

MAIL TO: P.O. BOX 16347 • Louisville, KY 40256-0347
SHIP TO: 3649 Cane Run Road • Louisville, KY 40211-1961
Tel: (502) 778-2731 • 1 (800) 928-PUMP

Visit our website:
zoellerengineered.com

Product information presented here reflects conditions at time of publication. Consult factory regarding discrepancies or inconsistencies.

X72 HD HAZARDOUS ENVIRONMENT SERIES

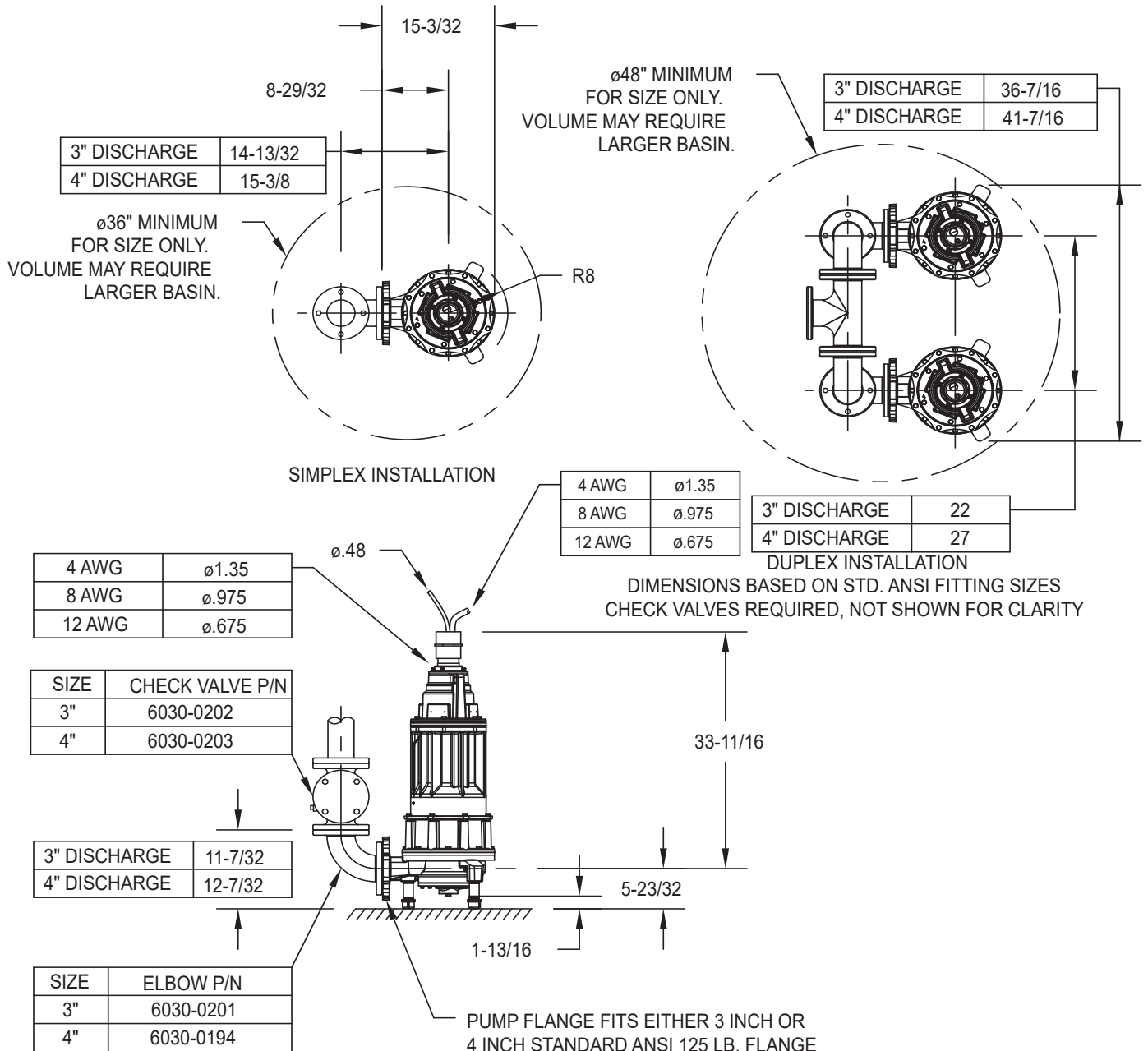
CLASS 1, DIVISION 1, GROUPS C & D

DIMENSIONAL DATA

4" Flanged Horizontal Discharge Units

10 & 15 HP- 3450 RPM

Floor Mounted



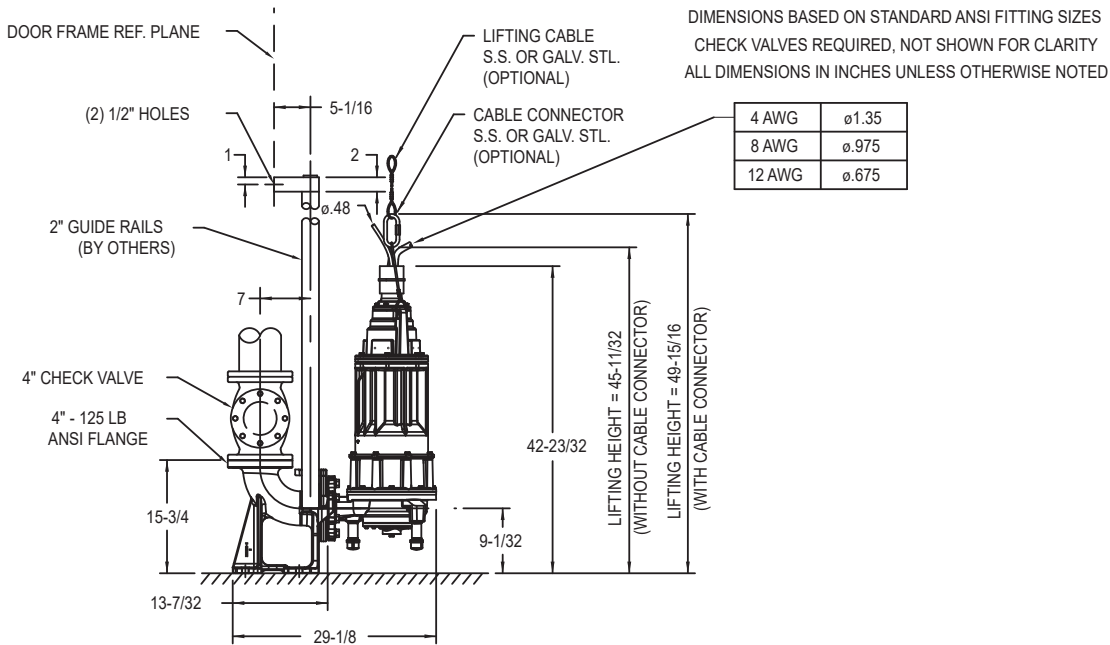
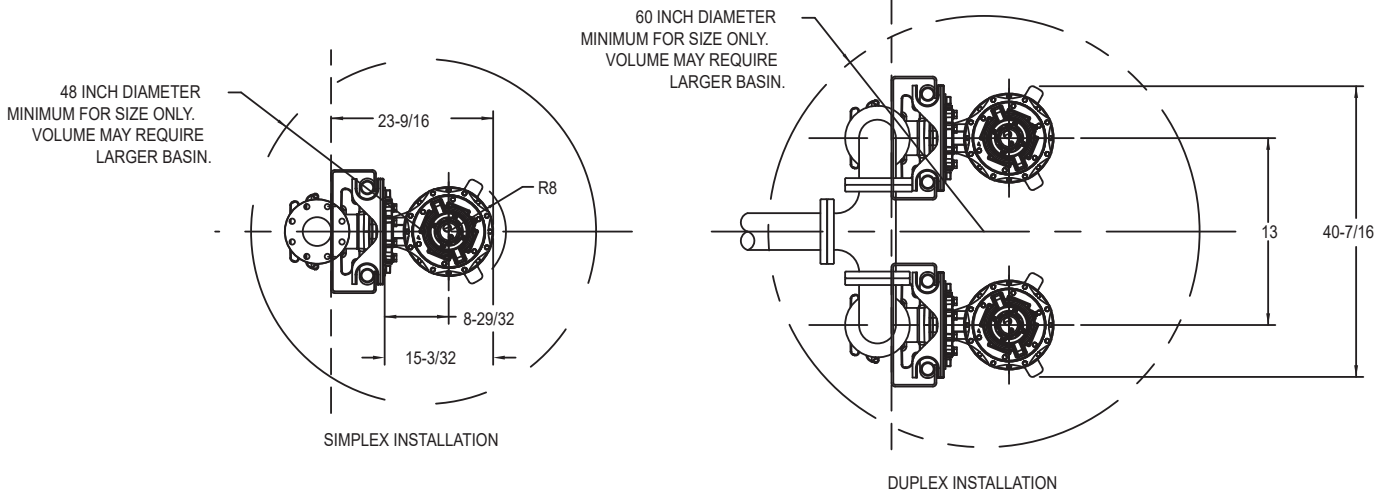
SK3334

*All dimensions in inches unless otherwise noted.

X72 HD HAZARDOUS ENVIROMENT SERIES

CLASS 1, DIVISION 1, GROUPS C & D
DIMENSIONAL DATA

4" Flanged Horizontal Discharge Units
10 & 15 HP- 3450 RPM
Part Number 39-0154 Mounted



THE INFORMATION ON THESE DRAWINGS OR WEB PAGES IS MADE AVAILABLE FOR YOUR USE. HOWEVER, YOU USE THIS INFORMATION AT YOUR OWN RISK. WE BELIEVE THE INFORMATION TO BE CORRECT AND ACCURATE AT THE TIME OF ISSUE. ZOELLER COMPANY ASSUMES NO LIABILITY, EXPRESSED OR IMPLIED, RESULTING IN YOUR ACCESSING AND USING THIS INFORMATION. DUE TO CHANGES AND/OR DOWNLOAD PROBLEMS, IT IS YOUR RESPONSIBILITY AND YOU AGREE TO BE SOLELY RESPONSIBLE TO VERIFY THAT THE INFORMATION IS CORRECT AND ACCURATE FOR YOUR PURPOSES.

SK3445