

MAIL TO: P.O. BOX 16347 • Louisville, KY 40256-0347  
SHIP TO: 3649 Cane Run Road • Louisville, KY 40211-1961  
Tel: (502) 778-2731 • 1 (800) 928-PUMP

Visit our website:  
zoellerengineered.com

Product information presented here reflects conditions at time of publication. Consult factory regarding discrepancies or inconsistencies.

# REPLACEMENT PARTS LIST FOR 7010 GRINDER MODELS:

EI7010 NONAUTOMATIC 200-230V 1PH

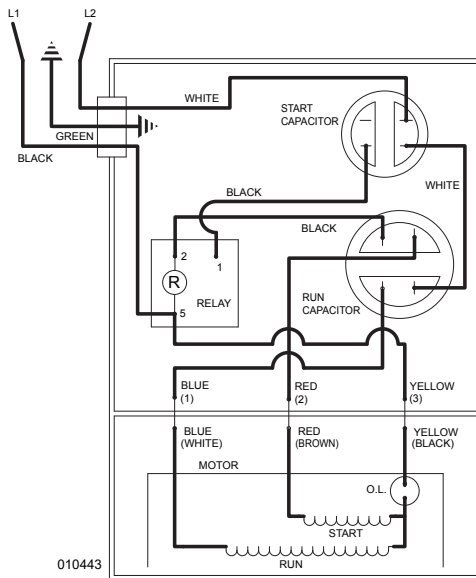
WDH7010 AUTOMATIC w/wired float switch 200-230V 1PH

Obsolete Models	Auto/Non	Volts	PH	Obsolete Date
E7010	Nonautomatic	230	1PH	4/22/2024
I7010	Nonautomatic	200	1PH	4/22/2024
WD7010	Automatic	230	1PH	4/22/2024
WH7010	Automatic	200	1PH	4/22/2024
J7010	Nonautomatic	200	3PH	10/1/2023
F7010	Nonautomatic	230	3PH	10/1/2023
G7010	Nonautomatic	460	3PH	10/1/2023
BA7010	Nonautomatic	575	3PH	10/1/2023

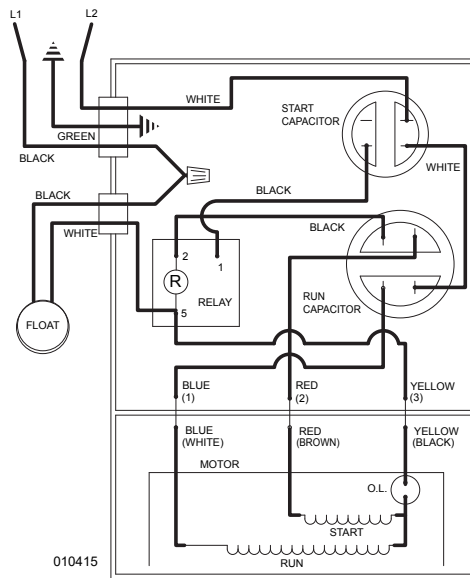
Consult factory for all other models

**TO ORDER REPLACEMENT PARTS:**  
PLEASE FURNISH THE FOLLOWING INFORMATION:

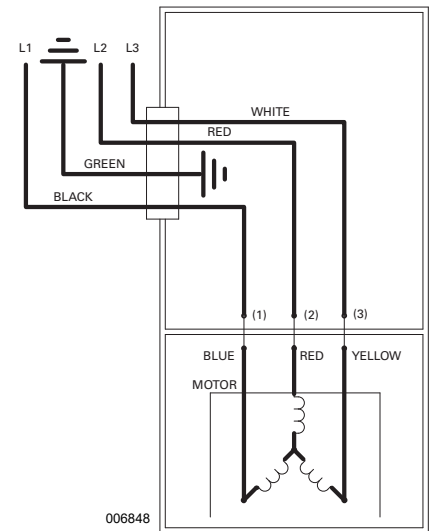
- Model Number
- Part Number of Pump
- Part Number and Description of part



WIRING DIAGRAM FOR MODELS  
"E7010" All Revisions  
"I77010" All Revisions  
"EI7010" All Revisions  
03/11 thru current



WIRING DIAGRAM FOR MODELS  
"WD7010" All Revisions  
"WH7010" All Revisions  
"WDH7010" All Revisions  
03/11 thru current



WIRING DIAGRAM FOR MODELS  
"J7010", "F7010", "G7010",  
and "BA7010" All Revisions  
09/17 thru 10/23

# REPLACEMENT PARTS LIST FOR MODELS "E7010" & "I7010".

See back page for illustration.

REF NO.	DESCRIPTION	QTY	NOTE	MODELS:			
				E7010-A	E7010-B	I7010-A	I7010-B
				03/11 thru 1/17	2/17 thru 4/24	03/11 thru 1/17	2/17 thru 4/24
1	• HANDLE	1		217069	217069	217069	217069
2	COVER & CORD 200/230V/1PH/NONAUTO/"7010"	1	3	151473	151473	151474	151474
3	COVER-MACH & HANDLE ASM	1	3	015612	015612	015612	015612
4	SWITCH,FLT-TERM & SEAL "7010"	0		N/A	N/A	N/A	N/A
5	SEAL,CORD-FLOAT SWITCH	0		N/A	N/A	N/A	N/A
6	CORD TERM&SEAL	1	3	015614	015614	015615	015615
7	• SEAL,CORD-ASM&STR RLF	1	3	015634	015634	015634	015634
8	• GASKET,CASE/COVER	1		012649	012649	012649	012649
9	• WIRE PKG (6 WIRES)	1		010833	010833	010833	010833
10	CAPACITOR-START & CLAMP ASM.	1		010829	010829	010829	010829
11	CAPACITOR-RUN & CLAMP ASM	1		010830	010830	010830	010830
12	RELAY,VOLTAGE SENSING	1		014601	014601	014601	014601
13	• PLUG,TEST	2		015023	015023	015023	015023
14	• SEAL,THRU WALL TERM	3		003402	003402	003402	003402
15	HOUSING,MTR-&STR	1	4	018231	018231	018232	018232
16	• BEARING,6201	1		006703	006703	006703	006703
17	KEY	1		011711	011711	011711	011711
18	ROTOR & BRG ASM/1PH "7010"	1		018230	018230	018230	018230
19	• BEARING,7303	1		009861	009861	009861	009861
20	• SEAL,MTR HSG	1		012648	012648	012648	012648
21	• OIL,DIELECTRIC	1		018233	018233	018233	018233
22	ADAPTER-MACH	1		001003	001003	001003	001003
23	• SEAL,SHAFT	1		014675	014675	014675	014675
24	WASHER,SUPPORT-SS	1		010863	010863	010863	010863
25	COLLAR,SHAFT	1		010409	010409	010409	010409
26	IMPELLER-PLASTIC "7010"	1		019358	019358	019358	019358
27	HOUSING,PUMP-MACH "7010"	1		010400	154088	010400	154088
	HOUSING, PUMP MACH "7010" HORZ DISC			156930	156930	156930	156930
28	CUTTER & DISC ASM./"7010"	1		010832	154252	010832	154252
29	GRINDER SHIM SET	1		012632	012632	012632	012632
30	WASHER,RETAINING	1		008533	008533	008533	008533
31	GUARD,CUTTER-PLASTIC	1		008528	N/A	008528	N/A
32	CONNECTOR,WIRENUT 14-16GA	0		N/A	N/A	N/A	N/A
33	• SCREW,.25-20X.75" SH CAP SS.	3		007768	N/A	007768	N/A
	• SCREW,.25-20X.75" SH CAP SS.	6		N/A	007768	N/A	007768
34	• SCREW,.25-20 X .75LG HH SS (NYLOCK)	1		009545	009545	009545	009545
35	• SCREW,#10-24X.875-FLT SH CAP SS.	3		007761	N/A	007761	N/A
36	• SCREW,.313-18 X 1" HH CAP-SS	4		002608	002608	002608	002608
37	• SCREW,.25-20X1" HHM-S.S.	4		007790	007790	007790	007790
38	• SCREW,.25-20X.75 HHM-SS/INDENTED/UNSLLOT	4		001916	001916	001916	001916
39	• SCREW,#6-32X.25RHM SL TC STLGR	5		001877	001877	001877	001877
40	• SPRING,BEARING PRELOAD	1		017192	017192	017192	017192
41	• WASHER,FLAT-SS .25 STANDARD	3		004480	N/A	004480	N/A
42	• SCREW,#6-32X.375RHM SL TC ZINC PLATED	1		019421	019421	019421	019421
43	DISC, CUTTER	1		010407	153203	010407	153203
44	CUTTER & SHIM ASM	1		019697	154295	019697	154295
45	INSULATOR FLAG TERMNAL	3		001797	001797	001797	001797
□	REBUILD KIT E & I "7010"	1		151477	151477	151477	151477

- Items included in Rebuild Kit.
- Not Shown in Illustration.

## NOTES:

- 1) See FM0160 price sheet for listing of parts prices.
- 2) "N/A" indicates, not applicable.
- 3) If an "X" follows Model No., or Date Mfg. on brass ID tag, consult factory for ordering of this part.
- 4) Housing, MTR & Stator (Item 15) is preassembled at factory and must be replaced as a unit. Stator is permanently attached to the Motor Housing. Plug (Item 13) and Seal, thru Wall Term. (Item 14) and Bearing (Item 16) are replaceable.

# REPLACEMENT PARTS LIST FOR MODELS "WD7010" & "WH7010".

See back page for illustration.

REF NO.	DESCRIPTION	QTY	NOTE	MODELS:			
				WD7010-A	WD7010-B	WH7010-A	WH7010-B
				03/11 thru 1/17	2/17 thru 4/24	03/11 thru 1/17	2/17 thru 4/24
1	• HANDLE	1		217069	217069	217069	217069
2	COVER,CORD & FLT	1		151475	151475	151476	151476
3	COVER-MACH & HANDLE ASM	1	3	015613	015613	015613	015613
4	SWITCH,FLT-TERM & SEAL "7010"	1	3	010827	010827	011880	011880
5	• SEAL,CORD-FLOAT SWITCH	1		011065	011065	011071	011071
6	CORD TERM & SEAL	1	3	015632	015632	015633	015633
7	• SEAL,CORD-ASM&STR RLF	1	3	015634	015634	015634	015634
8	• GASKET,CASE/COVER	1		012649	012649	012649	012649
9	• WIRE PKG (6 WIRES)	1		010833	010833	010833	010833
10	CAPACITOR-START & CLAMP ASM.	1		010829	010829	010829	010829
11	CAPACITOR-RUN & CLAMP ASM	1		010830	010830	010830	010830
12	RELAY,VOLTAGE SENSING	1		014601	014601	014601	014601
13	• PLUG,TEST	2		015023	015023	015023	015023
14	• SEAL,THRU WALL TERM	3		003402	003402	003402	003402
15	HOUSING,MTR-&STR	1	4	018231	018231	018232	018232
16	• BEARING,6201	1		006703	006703	006703	006703
17	KEY	1		011711	011711	011711	011711
18	ROTOR & BRG ASM/1PH "7010"	1		018230	018230	018230	018230
19	• BEARING,7303	1		009861	009861	009861	009861
20	• SEAL,MTR HSG	1		012648	012648	012648	012648
21	• OIL,DIELECTRIC	1		018233	018233	018233	018233
22	ADAPTER-MACH	1		001003	001003	001003	001003
23	• SEAL,SHAFT	1		014675	014675	014675	014675
24	WASHER,SUPPORT-SS	1		010863	010863	010863	010863
25	COLLAR,SHAFT	1		010409	010409	010409	010409
26	IMPELLER-PLASTIC "7010"	1		019358	019358	019358	019358
27	HOUSING,PUMP-MACH "7010"	1		010400	154088	010400	154088
	HOUSING, PUMP MACH "7010" HORZ DISC			156930	156930	156930	156930
28	CUTTER & DISC ASM,"7010"	1		010832	154292	010832	154292
29	GRINDER SHIM SET	1		012632	012632	012632	012632
30	WASHER,RETAINING	1		008533	008533	008533	008533
31	GUARD,CUTTER-PLASTIC	1		008528	N/A	008528	N/A
32	• CONNECTOR,WIRENUT 14-16GA	1		003753	003753	003753	003753
33	• SCREW,.25-20X.75" SH CAP SS.	3		007768	N/A	007768	N/A
	• SCREW,.25-20X.75" SH CAP SS.	6		N/A	007768	N/A	007768
34	• SCREW,.25-20 X .75LG HH SS (NYLC)	1		009545	009545	009545	009545
35	• SCREW,#10-24X.875-FLT SH CAP SS.	3		007761	N/A	007761	N/A
36	• SCREW,.313-18 X 1"HH CAP-SS	4		002608	002608	002608	002608
37	• SCREW,.25-20X1" HHM-S.S.	4		007790	007790	007790	007790
38	• SCREW,.25-20X.75 HHM-SS/INDENTED/UNSLOTTED	4		001916	001916	001916	001916
39	• SCREW,#6-32X.25RHM SL TC STLGR	5		001877	001877	001877	001877
40	• SPRING,BEARING PRELOAD	1		017192	017192	017192	017192
41	• WASHER,FLAT-SS .25 STANDARD	3		004480	N/A	004480	N/A
42	• SCREW,#6-32X.375RHM SLTC ZINC	1		019421	019421	019421	019421
43	DISC, CUTTER	1		010407	153203	010407	153203
44	CUTTER & SHIM ASM	1		019697	154295	019697	154295
45	INSULATOR FLAG TERMINAL	3		001797	001797	001797	001797
□	REBUILD KIT WD & WH "7010"	1		151477	151477	151477	151477

- Items included in Rebuild Kit.
- Not Shown in Illustration.

**NOTES:**

- 1) See FM0160 price sheet for listing of parts prices.
- 2) "N/A" indicates, not applicable.
- 3) If an "X" follows Model No., or Date Mfg. on brass ID tag, consult factory for ordering of this part.
- 4) Housing, MTR & Stator (Item 15) is preassembled at factory and must be replaced as a unit. Stator is permanently attached to the Motor Housing. Plug (Item 13) and Seal, thru Wall Term. (Item 14) and Bearing (Item 16) are replaceable.

# REPLACEMENT PARTS LIST FOR MODELS "J7010", "F7010", "G7010", "BA7010"

See back page for illustration.

REF NO.	DESCRIPTION	QTY	NOTE	MODELS:			
				J7010-A	F7010-A	G7010-A	BA7010-A
				09/17 thru 10/23	09/17 thru 10/23	09/17 thru 10/23	09/17 thru 10/23
1	• HANDLE	1		217069	217069	217069	217069
2	COVER AND CORD 3PH/NONAUTO "7010"	1		154717	154717	154717	154717
3	COVER-MACH & HANDLE ASM	1		015612	015612	015612	015612
4	SWITCH, FLT-TERM & SEAL	0		N/A	N/A	N/A	N/A
5	SEAL, CORD-FLOAT SWITCH	0		N/A	N/A	N/A	N/A
6	CORD TERM & SEAL	1		014177	014177	014177	014177
7	• SEAL, CORD-ASM & STR RLF	1		015634	015634	015634	015634
8	• GASKET, CASE/COVER	1		012649	012649	012649	012649
9	• WIRE PKG (6 WIRES)	0		N/A	N/A	N/A	N/A
10	CAPACITOR-START & CLAMP ASM	0		N/A	N/A	N/A	N/A
11	CAPACITOR-RUN & CLAMP ASM	0		N/A	N/A	N/A	N/A
12	RELAY, VOLTAGE SENSING	0		N/A	N/A	N/A	N/A
13	• PLUG, TEST	2		015023	015023	015023	015023
14	• SEAL, THRU WALL TERM	3		003402	003402	003402	003402
15	HOUSING, MTR & STR	1	4	154676	154677	154679	154670
16	BEARING, SLEEVE-BRONZE OILITE	1		N/A	N/A	N/A	N/A
	• BEARING, 6201			006703	006703	006703	006703
17	KEY	1		011711	011711	011711	011711
18	ROTOR & BRG ASM 3PH "7010"	1		154698	154698	154698	154698
19	• BEARING, 7303	1		009861	009861	009861	009861
20	• SEAL, MTR HSG	1		012648	012648	012648	012648
21	• OIL, DIELECTRIC	1		018233	018233	018233	018233
22	ADAPTER-MACH	1		001003	001003	001003	001003
23	• SEAL, SHAFT	1		014675	014675	014675	014675
24	WASHER, SUPPORT-SS	1		010863	010863	010863	010863
25	COLLAR, SHAFT	1		010409	010409	010409	010409
26	IMPELLER-MACH	1		N/A	N/A	N/A	N/A
	IMPELLER-PLASTIC "7010"			019358	019358	019358	019358
27	HOUSING, PUMP-MACH "7010"	1		154088	154088	154088	154088
	HOUSING, PUMP MACH "7010" HORZ DISC			156930	156930	156930	156930
28	CUTTER & DISC ASM "7010"	1		154292	154292	154292	154292
29	CUTTER SHIM SET	1		012632	012632	012632	012632
30	WASHER, RETAINING	1		008533	008533	008533	008533
31	GUARD, CUTTER-PLASTIC	0		N/A	N/A	N/A	N/A
32	CONNECTOR,WIRENUT 14-16GA	0		N/A	N/A	N/A	N/A
33	• SCREW, .25-20 X .75" SH CAP SS	6		007768	007768	007768	007768
34	• SCREW, .25-20 X .75" HH SS (NYLOCK)	1		009545	009545	009545	009545
35	• SCREW, #10-24 X .875-FLT SH CAP SS	0		N/A	N/A	N/A	N/A
36	• SCREW, .313-18 X 1" HH CAP SS	4		002608	002608	002608	002608
37	• SCREW, .25-20 X 1" HHM SS	4		007790	007790	007790	007790
38	• SCREW, .25-20 X .75" HHM SS/INDENTED/UNSLLOT	4		001916	001916	001916	001916
39	• SCREW, #6-32X.25RHM SL TC STLGR	1		001877	001877	001877	001877
40	• SPRING, BEARING PRELOAD	1		017192	017192	017192	017192
41	• WASHER, FLAT-SS .25 STANDARD	0		N/A	N/A	N/A	N/A
42	• SCREW, #6-32 X .375 RHM SL TC ZINC PLATED	0		N/A	N/A	N/A	N/A
43	DISC, CUTTER	1		153203	153203	153203	153203
44	CUTTER & SHIM ASM/2 BLADE/.75" SCREW	1		154295	154295	154295	154295
45	INSULATOR FLAG TERMINAL	0		N/A	N/A	N/A	N/A
	REBUILD KIT	1		151477	151477	151477	151477

- Items included in Rebuild Kit.
- Not Shown in Illustration.

**NOTES:**

- 1) See FM0160 price sheet for listing of parts prices.
- 2) "N/A" indicates, not applicable.
- 3) If an "X" follows Model No., or Date Mfg. on brass ID tag, consult factory for ordering of this part.
- 4) Housing, MTR & Stator (Item 15) is preassembled at factory and must be replaced as a unit. Stator is permanently attached to the Motor Housing. Plug (Item 13) and Seal, thru Wall Term. (Item 14) and Bearing (Item 16) are replaceable.

# REPLACEMENT PARTS LIST FOR MODELS "E17010"

See back page for illustration.

		MODELS:		E17010-C
REF NO.	DESCRIPTION	QTY	NOTE	05/24 thru Current
1	• HANDLE	1		217069
2	COVER & CORD 200/230V/1PH/NONAUTO/"7010"	1	3	151473
3	COVER-MACH & HANDLE ASM	1	3	015612
4	SWITCH,FLT-TERM & SEAL "7010"	0		N/A
5	SEAL,CORD-FLOAT SWITCH	0		N/A
6	CORD TERM&SEAL	1	3	015614
7	• SEAL,CORD-ASM&STR RLF	1	3	015634
8	• GASKET,CASE/COVER	1		012649
9	• WIRE PKG (6 WIRES)	1		010833
10	CAPACITOR-START & CLAMP ASM.	1		158723
11	CAPACITOR-RUN & CLAMP ASM	1		010830
12	RELAY,VOLTAGE SENSING	1		014601
13	• PLUG,TEST	2		015023
14	• SEAL,THRU WALL TERM	3		003402
15	HOUSING,MTR-&STR	1	4	018231
16	• BEARING,6201	1		006703
17	KEY	1		011711
18	ROTOR & BRG ASM/1PH "7010"	1		018230
19	• BEARING,7303	1		009861
20	• SEAL,MTR HSG	1		012648
21	• OIL,DIELECTRIC	1		018233
22	ADAPTER-MACH	1		001003
23	• SEAL,SHAFT	1		014675
24	WASHER,SUPPORT-SS	1		010863
25	COLLAR,SHAFT	1		010409
26	IMPELLER-PLASTIC "7010"	1		019358
27	HOUSING,PUMP-MACH "7010"	1		154088
28	CUTTER & DISC ASM,/"7010"	1		154252
29	GRINDER SHIM SET	1		012632
30	WASHER,RETAINING	1		008533
31	GUARD,CUTTER-PLASTIC	1		N/A
32	CONNECTOR,WIRENUT 14-16GA	0		N/A
33	• SCREW,.25-20X.75" SH CAP SS.	3		N/A
	• SCREW,.25-20X.75" SH CAP SS.	6		007768
34	• SCREW,.25-20 X .75LG HH SS (NYLOCK)	1		009545
35	• SCREW,#10-24X.875-FLT SH CAP SS.	3		N/A
36	• SCREW,.313-18 X 1" HH CAP-SS	4		002608
37	• SCREW,.25-20X1" HHM-S.S.	4		007790
38	• SCREW,.25-20X.75 HHM-SS/INDENTED/UNSL0T	4		001916
39	• SCREW,#6-32X.25RHM SL TC STLGR	5		001877
40	• SPRING,BEARING PRELOAD	1		017192
41	• WASHER,FLAT-SS .25 STANDARD	3		N/A
42	• SCREW,#6-32X.375RHM SL TC ZINC PLATED	1		019421
43	DISC, CUTTER	1		153203
44	CUTTER & SHIM ASM	1		154295
45	INSULATOR FLAG TERMINAL	6		001797
□	REBUILD KIT E & I "7010"	1		151477

• Items included in Rebuild Kit.

□ Not Shown in Illustration.

## NOTES:

- 1) See FM0160 price sheet for listing of parts prices.
- 2) "N/A" indicates, not applicable.
- 3) If an "X" follows Model No., or Date Mfg. on brass ID tag, consult factory for ordering of this part.
- 4) Housing, MTR & Stator (Item 15) is preassembled at factory and must be replaced as a unit. Stator is permanently attached to the Motor Housing. Plug (Item 13) and Seal, thru Wall Term. (Item 14) and Bearing (Item 16) are replaceable.

# REPLACEMENT PARTS LIST FOR MODELS "WDH7010"

See back page for illustration.

		MODELS:		WDH7010-C
REF NO.	DESCRIPTION	QTY	NOTE	05/24 thru Current
1	• HANDLE	1		217069
2	COVER,CORD & FLT	1		151475
3	COVER-MACH & HANDLE ASM	1	3	015613
4	SWITCH,FLT-TERM & SEAL "7010"	1	3	010827
5	• SEAL,CORD-FLOAT SWITCH	1		011065
6	CORD TERM & SEAL	1	3	015632
7	• SEAL,CORD-ASM&STR RLF	1	3	015634
8	• GASKET,CASE/COVER	1		012649
9	• WIRE PKG (6 WIRES)	1		010833
10	CAPACITOR-START & CLAMP ASM.	1		158723
11	CAPACITOR-RUN & CLAMP ASM	1		010830
12	RELAY,VOLTAGE SENSING	1		014601
13	• PLUG,TEST	2		015023
14	• SEAL,THRU WALL TERM	3		003402
15	HOUSING,MTR-&STR	1	4	018231
16	• BEARING,6201	1		006703
17	KEY	1		011711
18	ROTOR & BRG ASM/1PH "7010"	1		018230
19	• BEARING,7303	1		009861
20	• SEAL,MTR HSG	1		012648
21	• OIL,DIELECTRIC	1		018233
22	ADAPTER-MACH	1		001003
23	• SEAL,SHAFT	1		014675
24	WASHER,SUPPORT-SS	1		010863
25	COLLAR,SHAFT	1		010409
26	IMPELLER-PLASTIC "7010"	1		019358
27	HOUSING,PUMP-MACH "7010"	1		154088
28	CUTTER & DISC ASM./"7010"	1		154292
29	GRINDER SHIM SET	1		012632
30	WASHER,RETAINING	1		008533
31	GUARD,CUTTER-PLASTIC	1		N/A
32	• CONNECTOR,WIRENUT 14-16GA	1		003753
33	• SCREW,.25-20X.75" SH CAP SS.	3		N/A
	• SCREW,.25-20X.75" SH CAP SS.	6		007768
34	• SCREW,.25-20 X .75LG HH SS (NYLC)	1		009545
35	• SCREW,#10-24X.875-FLT SH CAP SS.	3		N/A
36	• SCREW,.313-18 X 1"HH CAP-SS	4		002608
37	• SCREW,.25-20X1" HHM-S.S.	4		007790
38	• SCREW,.25-20X.75 HHM-SS/INDENTED/UNSLOTTED	4		001916
39	• SCREW,#6-32X.25RHM SL TC STLGR	5		001877
40	• SPRING,BEARING PRELOAD	1		017192
41	• WASHER,FLAT-SS .25 STANDARD	3		N/A
42	• SCREW,#6-32X.375RHM SLTC ZINC	1		019421
43	DISC, CUTTER	1		153203
44	CUTTER & SHIM ASM	1		154295
45	INSULATOR FLAG TERMINAL	6		001797
□	REBUILD KIT WD & WH "7010"	1		151477

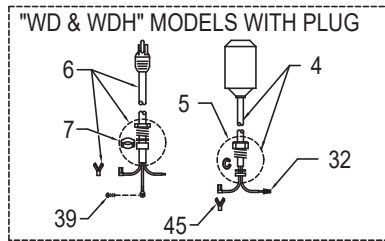
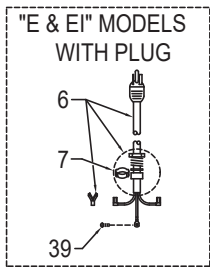
• Items included in Rebuild Kit.

□ Not Shown in Illustration.

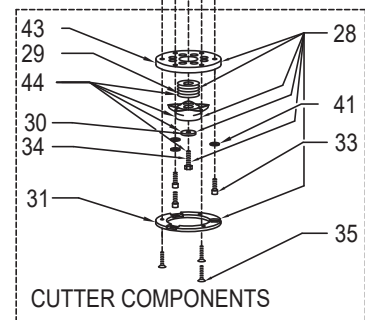
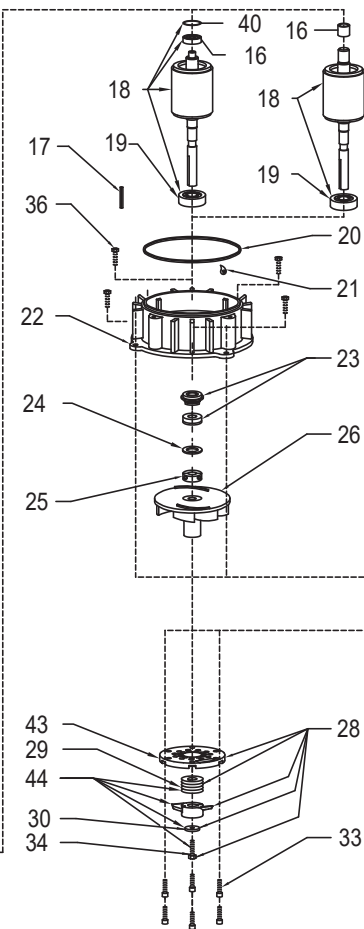
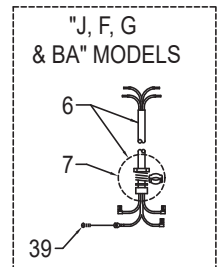
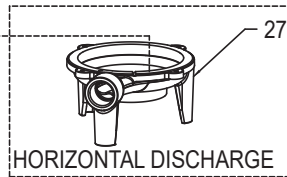
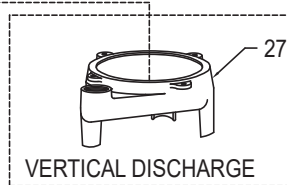
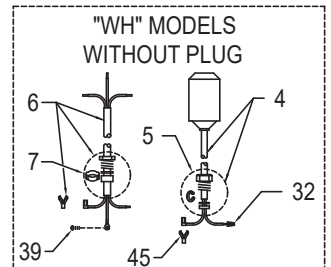
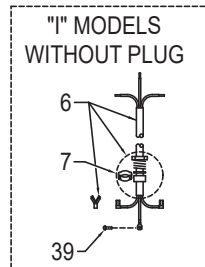
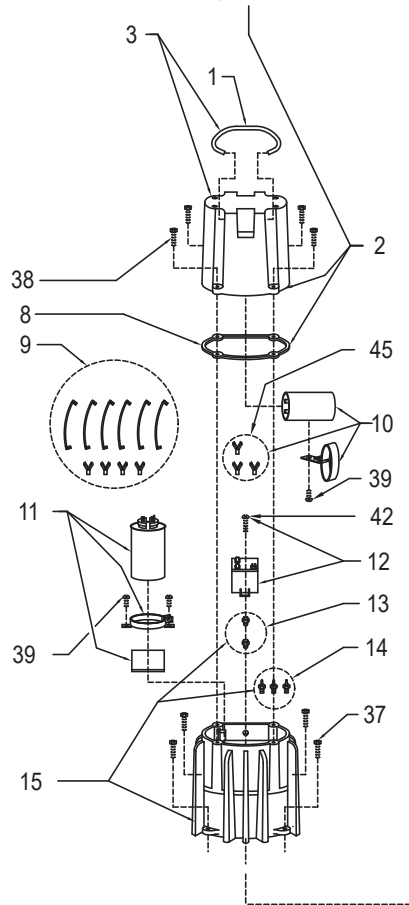
## NOTES:

- 1) See FM0160 price sheet for listing of parts prices.
- 2) "N/A" indicates, not applicable.
- 3) If an "X" follows Model No., or Date Mfg. on brass ID tag, consult factory for ordering of this part.
- 4) Housing, MTR & Stator (Item 15) is preassembled at factory and must be replaced as a unit. Stator is permanently attached to the Motor Housing. Plug (Item 13) and Seal, thru Wall Term. (Item 14) and Bearing (Item 16) are replaceable.

# REPLACEMENT PARTS ILLUSTRATION FOR 7010 - ALL MODELS



APPLICABLE CORD, SEAL & GROUND SCREW



# NOTES



MAIL TO: P.O. BOX 16347 • Louisville, KY 40256-0347  
SHIP TO: 3649 Cane Run Road • Louisville, KY 40211-1961  
Tel: (502) 778-2731 • 1 (800) 928-PUMP

Trusted. Tested. Tough.®

visit our web site:  
[zoellerengineered.com](http://zoellerengineered.com)