

MAIL TO: P.O. BOX 16347 • Louisville, KY 40256-0347
SHIP TO: 3649 Cane Run Road • Louisville, KY 40211-1961
Tel: (502) 778-2731 • 1 (800) 928-PUMP

Visit our website:
zoellerengineered.com

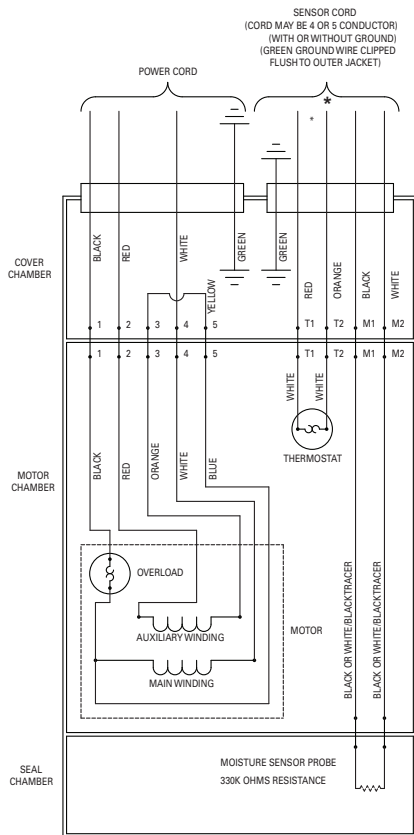
Product information presented here reflects conditions at time of publication. Consult factory regarding discrepancies or inconsistencies.

REPLACEMENT PARTS LIST FOR GRINDER MODELS:

- E7013 230V 1 PHASE
- I7013 200V 1 PHASE
- F7013 230V 3 PHASE
- G7013 460V 3 PHASE
- J7013 200V 3 PHASE
- BA7013 575V 3 PHASE

TO ORDER REPLACEMENT PARTS:
PLEASE FURNISH THE FOLLOWING INFORMATION:

- Model Number.
- Part Number of Pump.
- Part Number and Description of part.

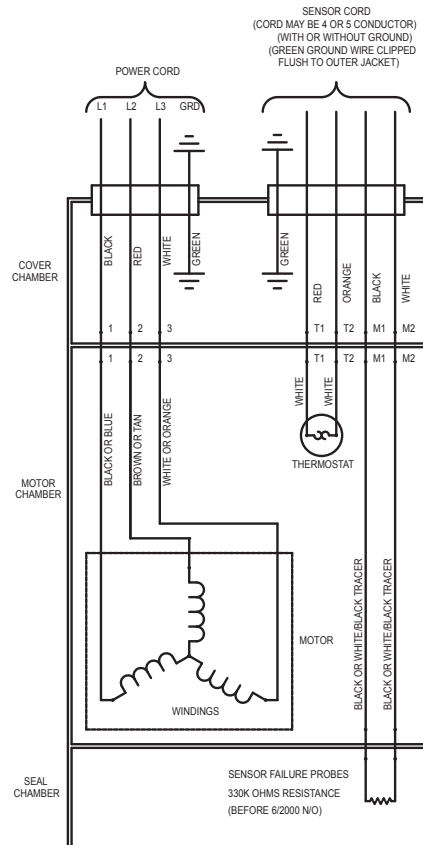


*THERMOSTAT OPTIONAL

*Thermostat Optional

WIRING DIAGRAM FOR MODELS
"E7013" All Revisions
"I7013" All Revisions
"03/11 thru Present

016129



WIRING DIAGRAM FOR MODELS
"F7013" All Revisions
"G7013" All Revisions
"J7013" All Revisions
"BA7013" All Revisions
"03/11 thru Present

008752

REPLACEMENT PARTS LIST FOR MODELS “E7013” and “I7013”.

See back page for illustration.

REF. NO.	DESCRIPTION	QTY.	NOTES	MODELS:			
				E7013-A	E7013-B	I7013-A	I7013-B
				03/11 thru 1/17	2/17 thru Current	03/11 thru 1/17	2/17 thru Current
1	COVER & CORD 200/230V/1PH	1	2	151482	151482	151482	151482
2	• SEAL, SQ-RING COVER	1		014592	014592	014592	014592
3	• SEAL, THRU WALL TERM.	9		003402	003402	003402	003402
4	HOUSING, MTR. & STR. 1PH	1	1	010266	010266	010267	010267
5	• OIL, DIELECTRIC (57 OZ CAN)	1		009051	009051	009051	009051
6	ROTOR ASM. 1PH	1		010269	010269	010269	010269
7	RING, SNAP-5100-100 TRUARC	1		007769	007769	007769	007769
8	KEY	1		011711	011711	011711	011711
9	CORDAGE TERM. & SEAL/20/18-2 SOW-A/MS	1	2	009053	009053	009053	009053
10	• SEAL, CORD-ASM./MS	1	2	011064	011064	011064	011064
11	CORDAGE TERM. & SEAL/20/POWER	1	2	155429	155429	155429	155429
12	• SEAL, CORD-ASM. & STRAIN RELIEF	1	2	015634	015634	015634	015634
13	CASE & SEAL	1		015830	015830	015830	015830
14	• PLUG, TEST-BRASS	3		015023	015023	015023	015023
15	• BEARING, RADIAL .4724 ID	1		006703	006703	006703	006703
16	• BEARING, ANGULAR CONTACT	1		007765	007765	007765	007765
17	• SEAL, SQ-RING ADAPTER	1		014257	014257	014257	014257
18	• SENSOR, MOISTURE ASM.	1		007770	007770	007770	007770
19	ADAPTER ASM. GRINDER	1		009055	009055	009055	009055
20	• OIL, DIELECTRIC (11 OZ CAN)	1		009056	009056	009056	009056
21	• SEAL ASM., SHAFT UPPER	1		007763	007763	007763	007763
21	• SEAL ASM., SHAFT LOWER	1		151365	151365	151365	151365
22	• SEAL, SQ-RING SEAL PLATE	1		014591	014591	014591	014591
23	PLATE, SEAL-MACH.	1		007757	007757	007757	007757
24	IMPELLER-MACH. BRASS	1		015801	015801	015801	015801
	IMPELLER-MACH. DUCTILE IRON			154276	154276	154276	154276
25	HOUSING, PUMP-MACH.	1		015800	154089	015800	154089
	HOUSING, PUMP- MACH "7013" HORZ DISCH				156931		156931
26	CUTTER & DISC ASM.	1		018604	154536	018604	154536
27	SHIM SET	1		012632	012632	012632	012632
28	GUARD, CUTTER-PLASTIC	1		008528	N/A	008528	N/A
29	HANDLE	1		016801	016801	016801	016801
30	WIRE ASM.-P-P (1) WIRE	1		016134	016134	016134	016134
31	RESISTOR	1		013740	013740	013740	013740
32	• SCREW, #6-32 X .25RHM SL TC STLGR	1		001877	001877	001877	001877
33	• SCREW, .313-18 X 1 HH CAP SS	2		002608	002608	002608	002608
34	• SCREW, .313-18 X 1.25 HH CAP-SS	12		001908	001908	001908	001908
35	• SCREW, #10-24 X .625" SH CAP SS	4		007774	007774	007774	007774
36	• SCREW, .25-20 X 1 LG HH SS (NYLOCK PRE-COAT 80)	1		018602	018602	018602	018602
37	• SCREW, .25-20 X .75 SH CAP SS	3		007768	N/A	007768	N/A
	• SCREW, .25-20 X .75 SH CAP SS	6		N/A	007768	N/A	007768
38	• SCREW, #10-24 X .875 FLT SH CAP SS	3		007761	N/A	007761	N/A
39	• WASHER, LOCK .312 ID	14		006402	006402	006402	006402
40	• WASHER-RETAINING	1		008533	008533	008533	008533
41	• WASHER-FLAT SS	2		008773	008773	008773	008773
42	• WASHER-FLAT SS .25 STANDARD	3		004480	N/A	004480	N/A
43	DISC, CUTTER	1		010407	153203	010407	153203
44	CUTTER/SHIM ASM	1		019696	154537	019696	154537
□	REBUILD KIT	1		151481	151481	151481	151481

• Items included in Rebuild Kit.

□ Not Shown in Illustration.

NOTE:

- 1) Housing Mtr & Stator (Item 4) is preassembled at the factory and must be replaced as a unit. Stator is permanently attached to the Motor Housing. Plug (Item 14); Seal, Thru WallTerm. (Item 3) are replaceable.
- 2) If an "X" follows Model No., or Date Mfg. On ID tag, consult factory for ordering of this part.
- 3) See FM0160 Parts Price Sheet for listing of parts prices.
- 4) "NA" indicates not applicable.

REPLACEMENT PARTS LIST FOR MODELS “J7013”, “F7013”, “G7013”, “BA7013”.

See back page for illustration.

REF. NO.	DESCRIPTION	QTY.	NOTES	MODELS:		J7013-A	J7013-B	F7013-A	F7013-B	G7013-A	G7013-B	BA7013-A	BA7013-B
				03/11 thru 1/17	2/17 thru Current	03/11 thru 1/17	2/17 thru Current	03/11 thru 1/17	2/17 thru Current	03/11 thru 1/17	2/17 thru Current	03/11 thru 1/17	2/17 thru 8/23
1	COVER & CORD 200/230/460/575V/3PH	1	2	151479	151479	151479	151479	151479	151479	151479	151479	151479	151479
2	• SEAL, SQ-RING COVER	1		014592	014592	014592	014592	014592	014592	014592	014592	014592	014592
3	• SEAL, THRU WALL TERM.	9		003402	003402	003402	003402	003402	003402	003402	003402	003402	003402
4	HOUSING, MTR. & STR. 3PH	1	1	010265	010265	010263	010263	010264	010264	010670	010670	010670	010670
5	• OIL, DIELECTRIC (67 OZ CAN)	1		009064	009064	009064	009064	009064	009064	009064	009064	009064	009064
6	ROTOR ASM. 3PH	1		010268	010268	010268	010268	010268	010268	010268	010268	010268	010268
7	RING, SNAP-5100-100 TRUARC	1		007769	007769	007769	007769	007769	007769	007769	007769	007769	007769
8	KEY	1		011711	011711	011711	011711	011711	011711	011711	011711	011711	011711
9	CORDAGE TERM. & SEAL/20/18-5 SOW-A/M&T	1	2	012928	012928	012928	012928	012928	012928	012928	012928	012928	012928
10	• SEAL, CORD-ASM./MS & THRML	1	2	012953	012953	012953	012953	012953	012953	012953	012953	012953	012953
11	CORDAGE TERM. & SEAL/20/POWER	1	2	155430	155430	155430	155430	155430	155430	155430	155430	155430	155430
12	• SEAL, CORD-ASM. & STRAIN RELIEF	1	2	015634	015634	015634	015634	015634	015634	015634	015634	015634	015634
13	CASE & SEAL	1		015830	015830	015830	015830	015830	015830	015830	015830	015830	015830
14	• PLUG, TEST-BRASS	3		015023	015023	015023	015023	015023	015023	015023	015023	015023	015023
15	• BEARING, RADIAL .4724 ID	1		006703	006703	006703	006703	006703	006703	006703	006703	006703	006703
16	• BEARING, ANGULAR CONTACT	1		007765	007765	007765	007765	007765	007765	007765	007765	007765	007765
17	• SEAL, SQ-RING ADAPTER	1		014257	014257	014257	014257	014257	014257	014257	014257	014257	014257
18	• SENSOR, MOISTURE ASM.	1		007770	007770	007770	007770	007770	007770	007770	007770	007770	007770
19	ADAPTER ASM. GRINDER	1		009055	009055	009055	009055	009055	009055	009055	009055	009055	009055
20	• OIL, DIELECTRIC (11 OZ CAN)	1		009056	009056	009056	009056	009056	009056	009056	009056	009056	009056
21	• SEAL ASM., SHAFT UPPER	1		007763	007763	007763	007763	007763	007763	007763	007763	007763	007763
21	• SEAL ASM., SHAFT LOWER	1		151365	151365	151365	151365	151365	151365	151365	151365	151365	151365
22	• SEAL, SQ-RING SEAL PLATE	1		014591	014591	014591	014591	014591	014591	014591	014591	014591	014591
23	PLATE, SEAL-MACH.	1		007757	007757	007757	007757	007757	007757	007757	007757	007757	007757
24	IMPELLER-MACH. BRASS	1		015801	015801	015801	015801	015801	015801	015801	015801	015801	015801
	IMPELLER-MACH. DUCTILE IRON			154276	154276	154276	154276	154276	154276	154276	154276	154276	154276
25	HOUSING, PUMP-MACH.	1		015800	154089	015800	154089	015800	154089	015800	154089	015800	154089
	HOUSING, PUMP- MACH "7013" HORZ DISCH				156931		156931		156931		156931		156931
26	CUTTER & DISC ASM.	1		018604	154536	018604	154536	018604	154536	018604	154536	018604	154536
27	SHIM SET	1		012632	012632	012632	012632	012632	012632	012632	012632	012632	012632
28	GUARD, CUTTER-PLASTIC	1		008528	N/A	008528	N/A	008528	N/A	008528	N/A	008528	N/A
29	HANDLE	1		016801	016801	016801	016801	016801	016801	016801	016801	016801	016801
30	WIRE ASM.-P-P (1) WIRE	1		016134	016134	016134	016134	016134	016134	016134	016134	016134	016134
31	RESISTOR	1		013740	013740	013740	013740	013740	013740	013740	013740	013740	013740
32	• SCREW, #6-32 X .25RHM SL TC STLGR	1		001877	001877	001877	001877	001877	001877	001877	001877	001877	001877
33	• SCREW, .313-18 X 1 HH CAP SS	2		002608	002608	002608	002608	002608	002608	002608	002608	002608	002608
34	• SCREW, .313-18 X 1.25 HH CAP-SS	12		001908	001908	001908	001908	001908	001908	001908	001908	001908	001908
35	• SCREW, #10-24 X .625" SH CAP SS	4		007774	007774	007774	007774	007774	007774	007774	007774	007774	007774
36	• SCREW, .25-20 X 1 LG HH SS (NYLOCK PRE-COAT 80)	1		018602	018602	018602	018602	018602	018602	018602	018602	018602	018602
37	• SCREW, .25-20 X .75 SH CAP SS	3		007768	N/A	007768	N/A	007768	N/A	007768	N/A	007768	N/A
	• SCREW, .25-20 X .75 SH CAP SS	6		N/A	007768	N/A	007768	N/A	007768	N/A	007768	N/A	007768
38	• SCREW, #10-24 X .875 FLT SH CAP SS	3		007761	N/A	007761	N/A	007761	N/A	007761	N/A	007761	N/A
39	• WASHER, LOCK .312 ID	14		006402	006402	006402	006402	006402	006402	006402	006402	006402	006402
40	• WASHER-RETAINING	1		008533	008533	008533	008533	008533	008533	008533	008533	008533	008533
41	• WASHER FLAT SS	2		008773	008773	008773	008773	008773	008773	008773	008773	008773	008773
42	• WASHER-FLAT SS .25 STANDARD	3		004480	N/A	004480	N/A	004480	N/A	004480	N/A	004480	N/A
43	DISC, CUTTER	1		010407	153203	010407	153203	010407	153203	010407	153203	010407	153203
44	CUTTER/SHIM ASM	1		019696	154537	019696	154537	019696	154537	019696	154537	019696	154537
o	REBUILD KIT	1		151480	151480	151480	151480	151480	151480	151480	151480	151480	151480

• Items included in Rebuild Kit.

o Not Shown in Illustration.

NOTE:

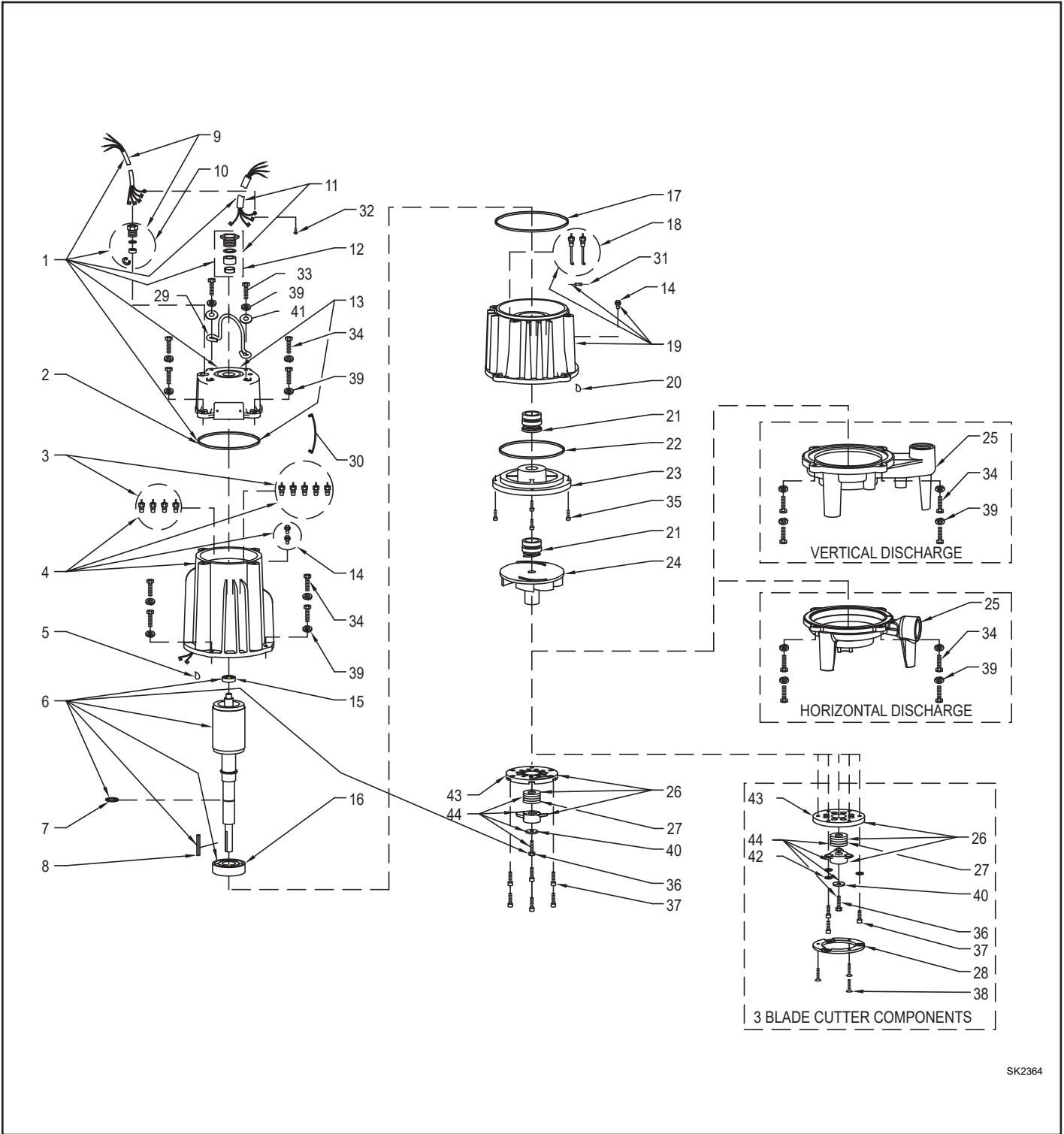
1) Housing Mtr & Stator (Item 4) is preassembled at the factory and must be replaced as a unit. Stator is permanently attached to the Motor Housing. Plug (Item 14); Seal, Thru Wall Term. (Item 3) are replaceable.

2) If an "X" follows Model No., or Date Mfg. On ID tag, consult factory for ordering of this part.

3) See FM0160 Parts Price Sheet for listing of parts prices.

4) "NA" indicates not applicable.

REPLACEMENT PARTS ILLUSTRATION FOR 7013 - ALL MODELS



SK2364