

Trusted. Tested. Tough.®



SECTION: Z1.20.500
ZM1376
1024
Supersedes
0224

MAIL TO: P.O. BOX 16347 • Louisville, KY 40256-0347
SHIP TO: 3649 Cane Run Road • Louisville, KY 40211-1961
Tel: (502) 778-2731 • 1 (800) 928-PUMP

Visit our website:
zoellerengineered.com

Product information presented here reflects conditions at time of publication. Consult factory regarding discrepancies or inconsistencies.



6400 SERIES COMMERCIAL SEWAGE PUMPS TECHNICAL DATA



	<input type="checkbox"/> 6404	<input type="checkbox"/> 6405
PUMP NAME PLATE HORSEPOWER:	2 HP	3 HP
SOLID SIZE: in (mm)	3' (76mm)	3' (76mm)
MINIMUM HEAD: ft. (m)	5.0' (1.5m)	5.0' (1.5m)
MAXIMUM HEAD: ft. (m)	33.0' (10.1m)	38.0' (11.6m)
MAX.FLOW GPM (L/min) @ MIN. HEAD ft. (m)	300 GPM @ 5' (1136 L/min @ 1.5m)	361 GPM @ 5' (1366 L/min @ 1.5m)
DISCHARGE SIZE:	4" HORIZONTAL FLANGE	4" HORIZONTAL FLANGE

PUMP NET WEIGHT: lbs (kg)	150 lbs (68 kg)	MOTOR TYPE:	SUBMERSIBLE
SERVICE FACTOR:	1.0	TYPE SOW POWER CORD LENGTH: ft (m)	25' (7.62m) <input type="checkbox"/> _____'
MOTOR DESIGN LETTER:	NEMA B	MOTOR SHAFT:	416 S.S.
IMPELLER TYPE:	CAST IRON VORTEX	STATOR INSULATION:	CLASS B
O-RINGS AND COVER GASKET:	VITON	LEAD WIRES INSULATION:	CLASS B
RPM:	1750	MAXIMUM STATOR TEMPERATURE:	266 °F (130 °C)

SHAFT SEAL CONSTRUCTION:	STANDARD	UPPER-CARBON/CERAMIC, LOWER-SILICON CARBIDE/ CARBON
	OPTIONAL <input type="checkbox"/> UPPER <input type="checkbox"/> LOWER	<input type="checkbox"/> SILICON CARBIDE / CARBON <input type="checkbox"/> SILICON CARBIDE / SILICON CARBIDE <input type="checkbox"/> SILICON CARBIDE / SILICON CARBIDE
MOTOR THERMAL SHUTOFF:	STANDARD (Single Phase Only)	THERMAL OVERLOAD WITH AUTOMATIC RESET
MOISTURE DETECTION:	<input type="checkbox"/> OPTIONAL*	MOISTURE SENSING PROBES
MINIMUM RECOMMENDED FLUID LEVEL: in (m)		12" (0.30m)
MAXIMUM WATER TEMPERATURE:		130 °F (54 °C)
		120 °F (49 °C) FOR WD6405

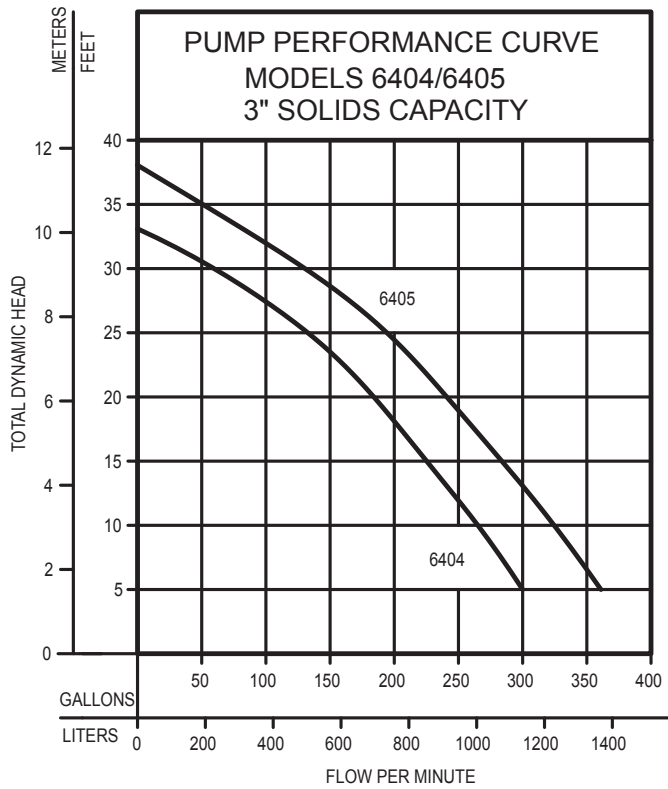
*Requires a circuit in control panel to function.

**See back side for listed CSA models.

ELECTRICAL DATA

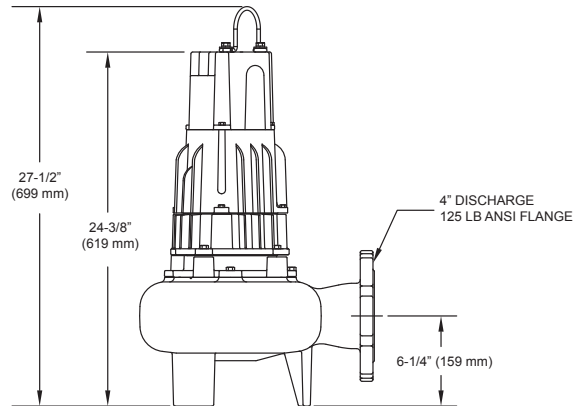
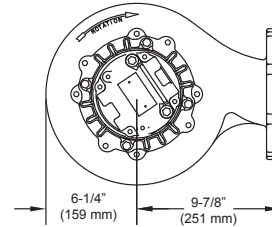
MODEL	HP	<input type="checkbox"/> 200-230/1Ph		<input type="checkbox"/> 230V/3Ph		<input type="checkbox"/> 460V/3Ph	
		FLA	LRA	FLA	LRA	FLA	LRA
<input type="checkbox"/> 6404	2	12.9	44.0	10.5	42.0	5.2	21.0
<input type="checkbox"/> 6405	3	18.0	44.0	12.2	39.5	6.1	21.0

Refer to reverse side for Head/Capacity Performance Curves



MODEL		6404		6405	
Feet	Meters	Gal.	Liters	Gal.	Liters
5	1.5	300	1136	361	1367
10	3.0	265	1003	326	1234
15	4.6	224	848	284	1075
20	6.1	184	698	241	912
25	7.6	134	503	197	746
30	9.1	60	227	134	507
35	10.7	--	--	50	189
Shut-off Head:		33 ft.(10.1m)		38 ft.(11.6m)	

012116B



Standard all models - 25 ft. cord - 2 HP				
6404 MODELS	Control Selection			Listed
	Volts	Ph	Amps	cCSAus
*EI6404	200-230	1	12.9	Yes
*WDH6404	200-230	1	12.9	Yes
F6404	230	3	10.5	Yes
G6404	460	3	5.2	Yes

Standard all models - 25 ft. cord - 3 HP				
6405 MODELS	Control Selection			Listed
	Volts	Ph	Amps	cCSAus
*EI6405	200-230	1	18.0	CSA
*WDH6405	200-230	1	18.0	CSA
F6405	230	3	12.2	Yes
G6405	460	3	6.1	Yes

SK1787

FEATURES

- Durable Epoxy Coated cast iron construction.
- Motor - 2 HP (6404) or 3 HP (6405), 60 Hz, 1750 RPM, 1 PH or 3 PH, oil-filled, hermetically sealed, automatic reset, thermal overload protected (1 PH).
- Bearings - Upper and lower ball bearings
- Stainless steel motor shaft.
- Dual Mechanical Shaft Seals - Upper carbon/ceramic, Lower silicon carbide/carbon. Optional seal materials available
- Viton O-ring seals and cover gasket
- Impeller - Non-clogging cast iron vortex design passes 3" spherical solids.
- 25 foot UL Listed 3-wire neoprene cord and plug. Longer cords available in lengths of 35-50 feet.
- No screens to clog.
- Stainless steel screws, bolts and handle.
- 4" Horizontal standard ANSI flange.
- Corrosion resistant powder coated epoxy finish.
- Moisture sensors available for early warning of seal failure. (Optional)
- 100% computerized tested.

*Molded plug.

20 amp outlet 10-0060, must be used with Model E6405 and WD6405.

All pumps available with optional moisture sensor. Seal fail indicator light available in NEMA 4X control panels.

CAUTION

All installation of controls, protection devices and wiring should be done by a qualified licensed electrician. All electrical and safety codes should be followed including the most recent National Electrical Code (NEC) and the Occupational Safety and Health Act (OSHA).