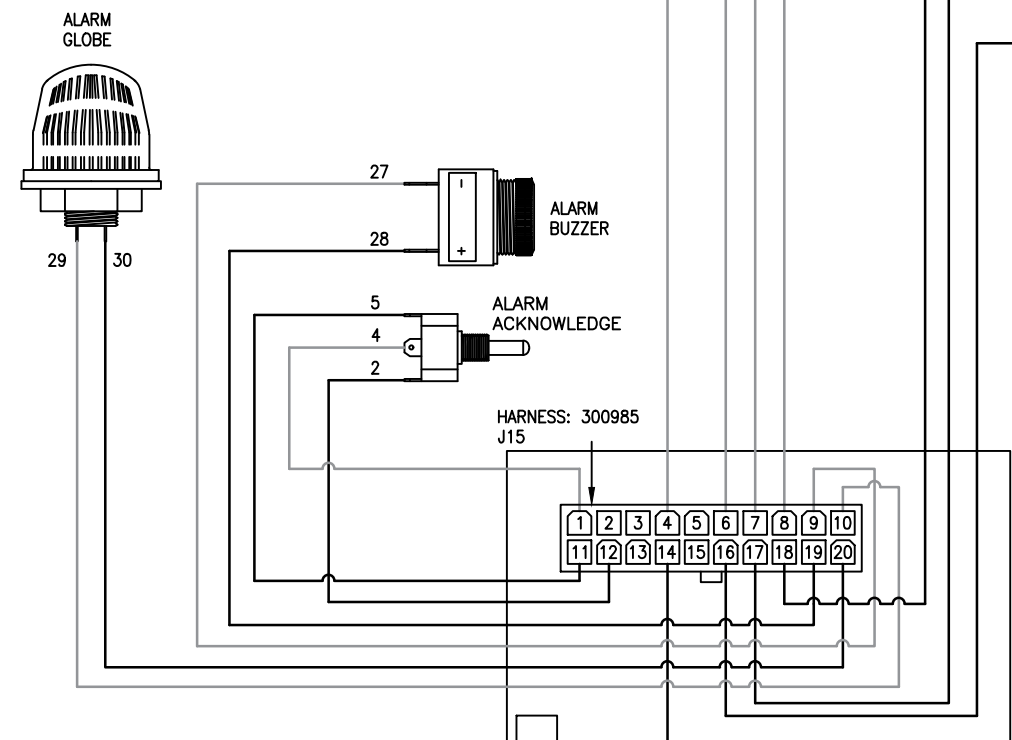
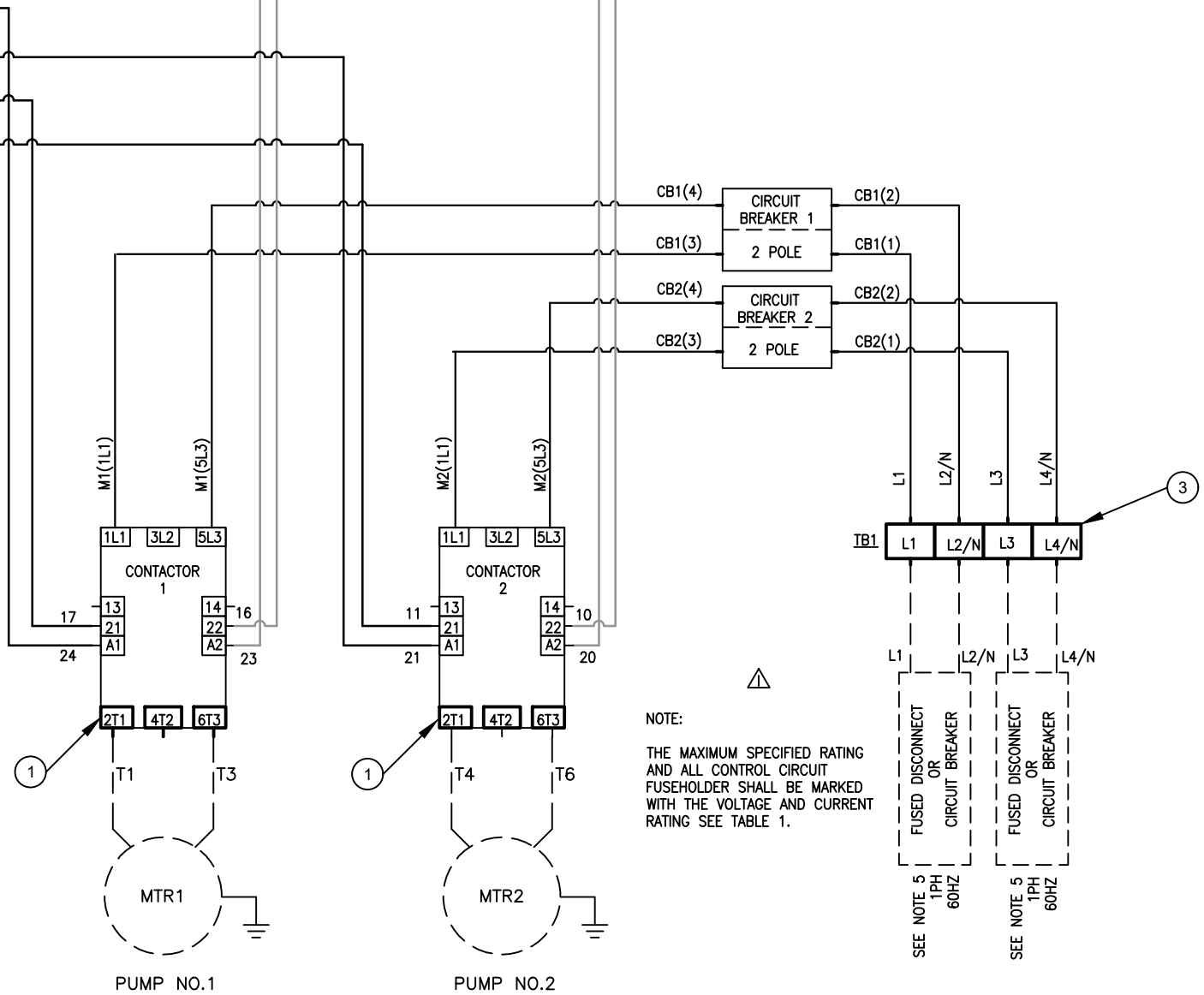
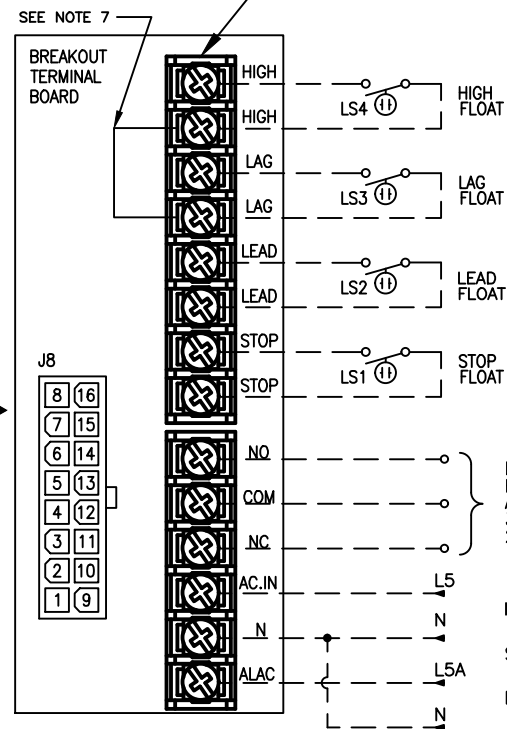
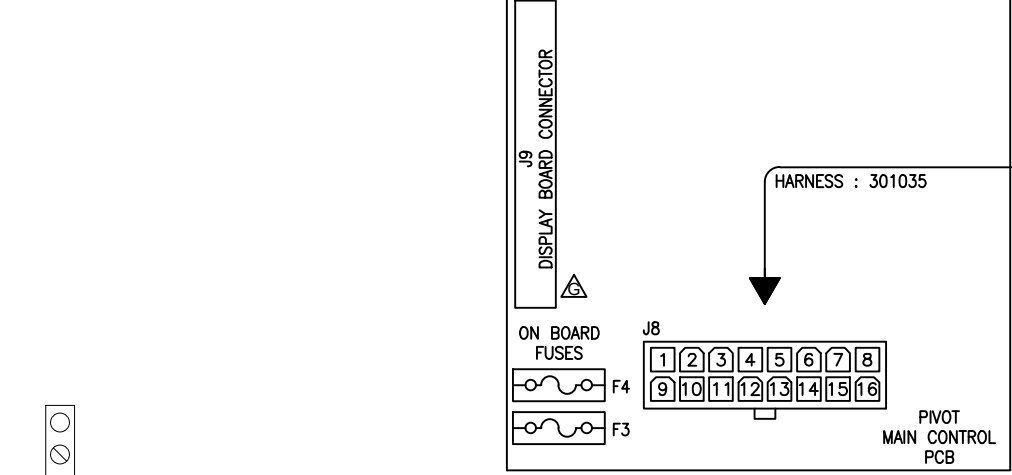


DRAWING REVISIONS				
LTR	BY	DATE	ECO #	DESCRIPTION
A	ISM	05/01/20	11069	RELEASE
B	AF	09/14/20	11098	JUMPERS ADDED
C	AF	01/13/21	11188	LEGAL NOTICE ADDED
D	AF	06/21/21	11320	ELECTRICAL SCHEMATIC ADDED
E	AF	12/07/21	11391	APPLICABLE VOLTAGE UPDATED
F	PY	11/11/22	11437	TORQUE SETTING & NOTE ADDED
G	HK	05/31/23	11605	DRAWING UPDATES
H	SWK	12/05/23	20289	DRAWING UPDATES
I	GA	03/27/24	20434	DRAWING UPDATES

CUSTOMER TORQUE SETTING		
NUMBER	COMPONENT	TORQUE
1	CONTACTOR LC1D09G7-LC1D18G7	1.7 N.m. 15 lb-in
	CONTACTOR LC1D25G7-LC1D38G7	2.5 N.m. 22 lb-in
2	BREAKOUT TERMINAL BOARD	1.15 N.m. 10 lb-in
3	TERMINAL BLOCK 6mm <sup>2</sup> -CROSS SECTION	1.5-1.8 N.m. 13.3-15.9 lb-in
	TERMINAL BLOCK 16mm <sup>2</sup> -CROSS SECTION	2.5-3 N.m. 22.1-26.5 lb-in



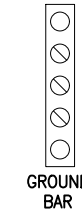
TULSAR END ITEM#	CIRCUIT BREAKER	FUSED DISCONNECT
EPC2352-0001	117.5A MAX	47A MAX
EPC2122-0001	89.375A MAX	35.75A MAX
EPC2132-0001	117.5A MAX	47A MAX
EPC2312-0001	44.375A MAX	17.75A MAX
EPC2322-0001	89.375A MAX	35.75A MAX
EPC2332-0001	117.5A MAX	47A MAX
EPC2342-0001	173.75A MAX	69.5A MAX



**WARNING:**  
SEPARATE OVERCURRENT PROTECTION IS REQUIRED TO BE PROVIDED IN ACCORDANCE WITH PREVAILING LOCAL CODES (NFPA70: NATIONAL ELECTRICAL CODE OR CANADIAN ELECTRICAL CODE PART 1)

**NOTICE:**  
THESE ARE INFORMATIONAL SCHEMATICS ONLY. THEY DO NOT REPLACE PROFESSIONAL GUIDANCE WITHIN ANY JURISDICTION OR FOR ANY APPLICATION AND SHOULD NOT BE RELIED UPON TO DO SO

ZOELLER END ITEM#	TULSAR END ITEM#
32354-0001	EPC2352-0001
32124-0001	EPC2122-0001
32134-0001	EPC2132-0001
32314-0001	EPC2312-0001
32324-0001	EPC2322-0001
32334-0001	EPC2332-0001
32344-0001	EPC2342-0001



INCOMING 120V, 1PH FOR CONTROL

SEE NOTE 6

INCOMING 120V, 1PH FOR ALARM

- NOTES:**
- CUSTOMER WIRING INDICATED BY DASHED LINES.
  - TIGHTENING TORQUE SPECIFIED IN "TORQUE SETTING" CHART.
  - WIRE TEMPERATURE RATING TO BE 60°C/140°F MINIMUM.
  - WIRING TYPE: COPPER AND SUITABLE FOR EXTERNAL HOOKUP
  - APPLICABLE VOLTAGE 120V, 208V & 240V.
  - BOTH CONTROL AND ALARM TERMINALS REQUIRE POWER FOR PROPER FUNCTION.
  - REMOVE JUMPER IF IT IS A 4-FLOAT SYSTEM.
  - FOR "PUMP RUNNING" DRY CONTACTS, USE TERMINALS 13 AND 14 ON THE ASSOCIATED MOTOR CONTRACTOR.

DRAWING DESCRIPTION:  
PIVOT 1PH DUPLEX WIRING DIAGRAM

TOLERANCES:  
X ±.1  
XX ±.03  
XXX ±.010

DATE: 05/01/20

DRAFTER: S.MURRAY

NUMBERS ENCLOSED IN A CIRCLE: ①, ② ARE CRITICAL TO QUALITY (CTQ) ITEMS. THIS INDICATES A CRUCIAL SPECIFICATION THAT MUST BE ROUTINELY VERIFIED.

©COPYRIGHT, 2020 : ALL RIGHTS RESERVED BY ZOELLER.

Stephen Kirby 07/30/24

Margaret Kaye 07/31/24

**ZOELLER** PUMP COMPANY

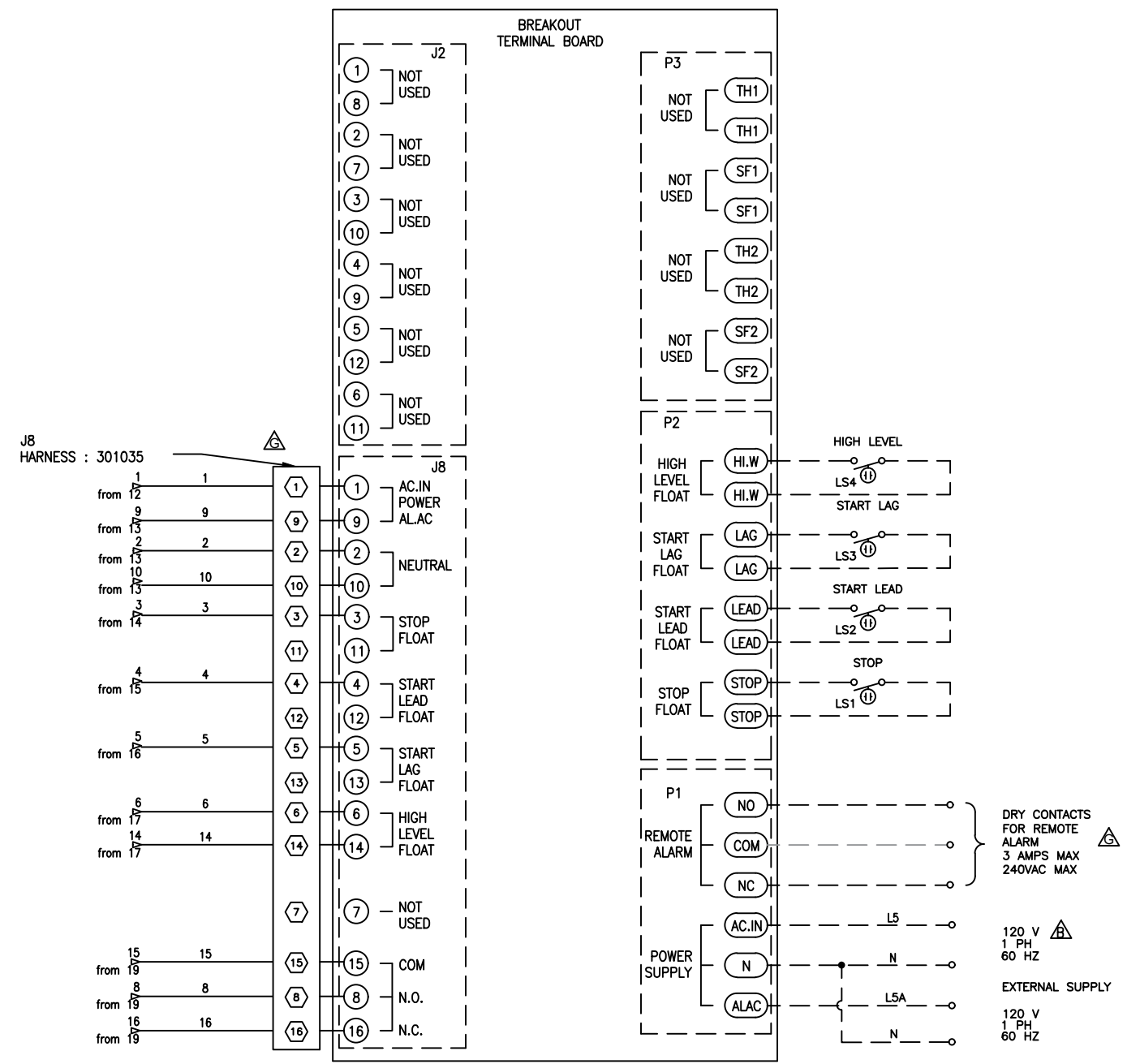
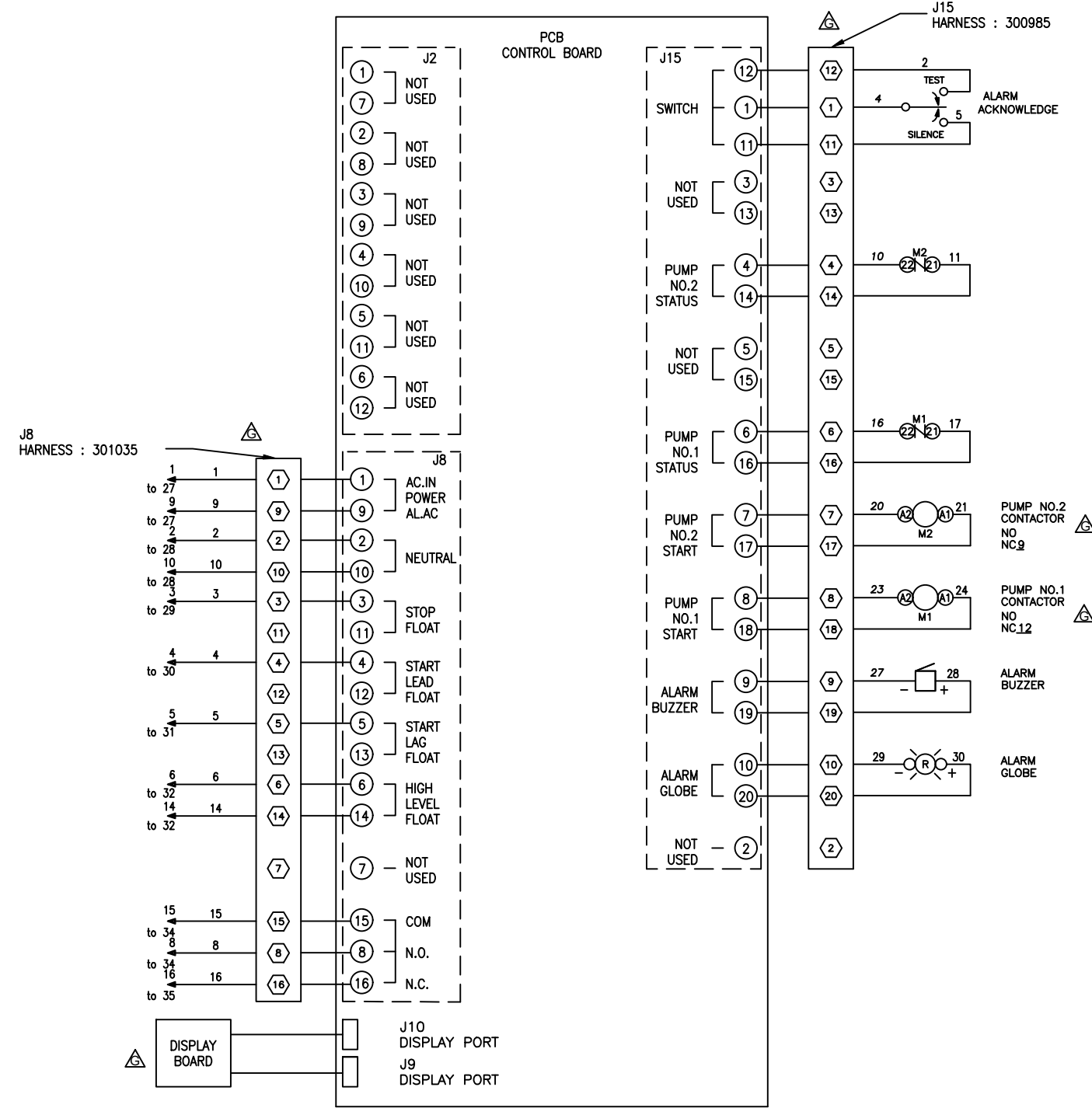
ELECTRONIC SCALE: 1X  
DO NOT SCALE PRINT  
EXCEPT AS NOTED  
DIMENSIONS ARE IN INCHES.

PART NUMBER: 301100  
PART REVISION: A

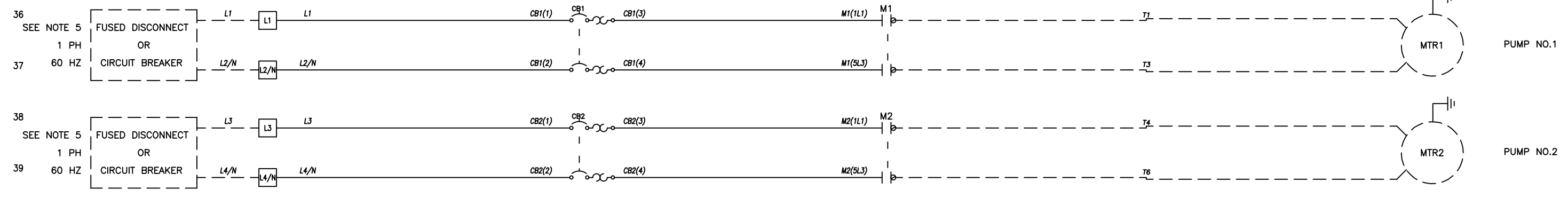
DRAWING NUMBER: 301100  
SHEET: 1 OF 3

1  
2  
3  
4  
5  
6  
7  
8  
9  
10  
11  
12  
13  
14  
15  
16  
17  
18  
19  
20

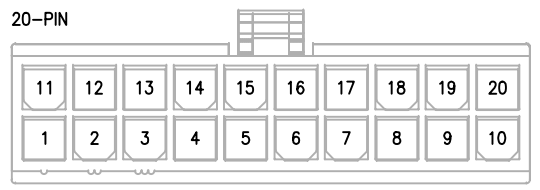
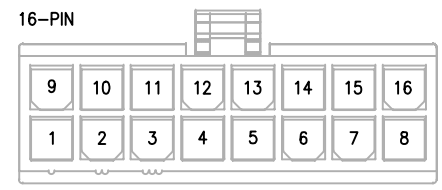
21  
22  
23  
24  
25  
26  
27  
28  
29  
30  
31  
32  
33  
34  
35



TERMINAL LEGEND  
⬡ DENOTE MOLEX PIN



MOLEX DETAILS



TERMINAL LEGEND  
□ DENOTE LOCAL TERMINAL