

MAIL TO: P.O. BOX 16347 • Louisville, KY 40256-0347  
SHIP TO: 3649 Cane Run Road • Louisville, KY 40211-1961  
Tel: (502) 778-2731 • 1 (800) 928-PUMP

Visit our website:  
zoellerengineered.com

Product information presented here reflects conditions at time of publication. Consult factory regarding discrepancies or inconsistencies.

## TECHNICAL DATA X6160 HAZARDOUS LOCATION SERIES

Class I, Division 1, Groups C & D Rated and Class I, Zone 1, Groups IIA & IIB Gas Areas  
or  
Class II, Division 1, Groups E, F & G and Zone 20 Dust Areas  
Commercial Duty Effluent



	<input type="checkbox"/> X6161	<input type="checkbox"/> X6163
<b>PUMP NAME PLATE HORSEPOWER:</b>	1/2 HP	1/2 HP
<b>SOLID SIZE: in (mm)</b>	3/4" (19mm)	3/4" (19mm)
<b>MINIMUM HEAD: ft. (m)</b>	5.0' (1.5m)	5.0' (1.5m)
<b>MAXIMUM HEAD: ft. (m)</b>	56' (17.1m)	66' (20.1m)
<b>MAX.FLOW GPM (L/min) @ MIN. HEAD ft. (m)</b>	100 GPM @ 5' (379 L/min @ 1.5m)	61 GPM @ 5' (231 L/min @ 1.5m)
<b>DISCHARGE SIZE: VERTICAL FEMALE</b>	<input type="checkbox"/> 1-1/2" NPT <input type="checkbox"/> 2" NPT <input type="checkbox"/> 3" NPT	<input type="checkbox"/> 1-1/2" NPT <input type="checkbox"/> 2" NPT <input type="checkbox"/> 3" NPT

<b>PUMP NET WEIGHT: lbs (kg)</b>	125-133 (57-60 kg)	<b>MOTOR TYPE CSA APPROVED:</b>	SUBMERSIBLE Class 1 Gas Area Certified Class 2 Dust Area Certified
<b>SERVICE FACTOR:</b>	1.0	<b>TYPE SOW POWER CORD LENGTH: ft (m)</b>	25' (7.62m) <input type="checkbox"/> Optional 50'
<b>MOTOR DESIGN LETTER:</b>	NEMA B	<b>MOTOR SHAFT:</b>	416 S.S.
<b>IMPELLER TYPE:</b>	CAST IRON VORTEX	<b>STATOR INSULATION:</b>	CLASS B
<b>SQUARE RINGS:</b>	VITON	<b>STATOR AND LEAD WIRES INSULATION:</b>	CLASS B
<b>RPM:</b>	3450	<b>MAXIMUM STATOR TEMPERATURE:</b>	CLASS B 266 °F (130 °C)
<b>SURFACE TEMPERATURE CODE:</b>	T5 (1PH) T6 (3PH)		

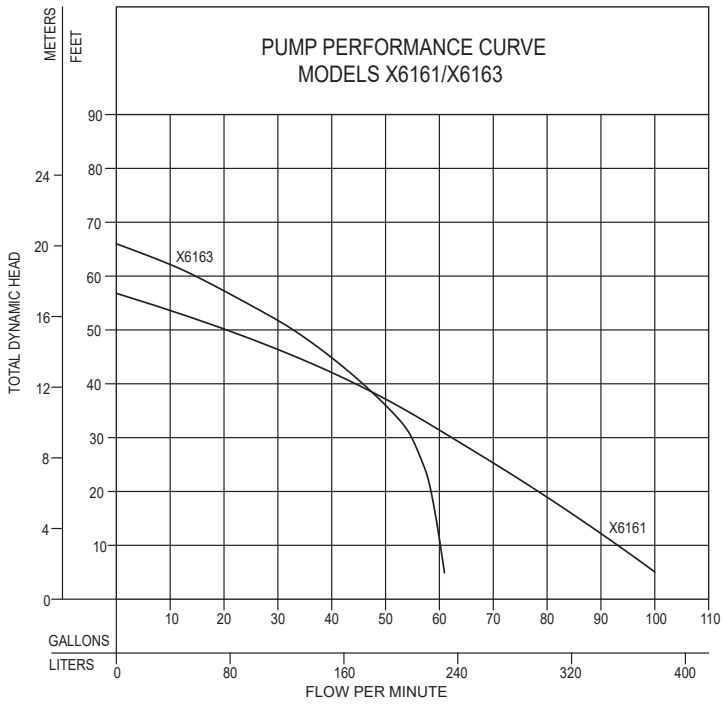
<b>SHAFT SEAL CONSTRUCTION:</b>	<b>STANDARD</b>	--	CARBON/CERAMIC - UPPER CARBON/SILICON CARBIDE - LOWER
	<b>OPTIONAL UPPER</b>		<input type="checkbox"/> SILICON CARBIDE/SILICON CARBIDE
	<b>OPTIONAL LOWER</b>		<input type="checkbox"/> SILICON CARBIDE/SILICON CARBIDE
<b>STANDARD SENSING DEVICES*</b>	<b>MOTOR THERMAL SHUTOFF</b>		INTEGRAL OVERLOAD WITH AUTOMATIC RESET - 1 PHASE
	<b>MOISTURE DETECTION</b>		MOISTURE SENSING PROBES WITH LEAD WIRES
<b>MINIMUM FLUID LEVEL FOR CONTINUOUS OPERATIONS: in (m)</b>			24" (0.6 m)
<b>MAXIMUM WATER TEMPERATURE:</b>			104 °F (40 °C)

\*Requires a circuit in control panel to function.

### ELECTRICAL DATA

MODEL	HP	<input type="checkbox"/> 115V/1Ph	
		FLA	LRA
<input type="checkbox"/> X6161	1/2	15.5	31.2
<input type="checkbox"/> X6163	1/2	15.0	31.2

Refer to reverse side for Head/Capacity Performance Curves



**TOTAL DYNAMIC HEAD/FLOW  
PER MINUTE  
EFFLUENT AND DEWATERING**

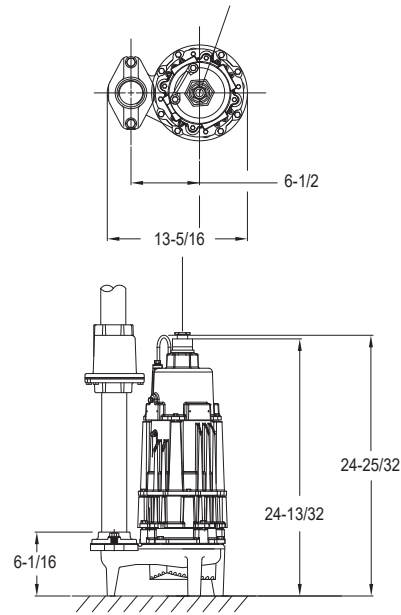
MODELS		X6161		X6163	
Feet	Meters	Gal.	Liters	Gal.	Liters
5	1.5	100	379	61	231
10	3.0	93	352	60	227
15	4.6	86	326	60	227
20	6.1	79	299	59	223
25	7.6	71	267	57	216
30	9.1	62	235	55	208
40	12.2	45	170	46	174
50	15.2	20	76	33	125
60	18.3	--	--	15	57
70	21.3	--	--	--	--
80	24.4	--	--	--	--
Shut-off Head:		56 ft. (17.1m)		66 ft. (20.1m)	

4-9/16 R.

009920

Standard all models - 25 ft. cord - 1/2 H.P.				
X6161 MODELS	Control Selection			Listings
	Volts	Ph	Amps	cCSAus
MX6161	115	1	15.5	Yes
NX6161	115	1	15.5	Yes

Standard all models - 25 ft. cord - 1/2 H.P.				
X6163 MODELS	Control Selection			Listings
	Volts	Ph	Amps	cCSAus
MX6163	115	1	15.0	Yes
NX6163	115	1	15.0	Yes



SK1992

**FEATURES**

- Durable epoxy coated cast iron construction
- Motor - 1/2 HP or 1 HP, 60 Hz, 3450 RPM, 1 PH, oil filled, hermetically sealed.
- Thermal sensor, integral overload with automatic reset (1 PH, )
- Bearings - upper and lower ball bearings
- Stainless steel motor shaft
- Dual mechanical shaft seals - upper carbon/ceramic, lower silicon carbide/carbon. Optional seal materials available
- Viton square ring seals
- Impeller - non-clogging cast iron vortex design passes 3/4" spherical solids
- 25 foot listed 3 wire neoprene cord with a 50' cord option.
- No screens to clog
- Stainless steel screws, bolts and handle
- 1-1/2" NPT discharge with 2" or 3" flange available
- Corrosion resistant powder coated epoxy finish
- Moisture sensors for early warning of seal failure.
- 100% computerized tested



All installation of controls, protection devices and wiring should be done by a qualified licensed electrician. All electrical and safety codes should be followed including the most recent National Electrical Code (NEC) and the Occupational Safety and Health Act (OSHA).