



MAIL TO: P.O. BOX 16347 • Louisville, KY 40256-0347
SHIP TO: 3649 Cane Run Road • Louisville, KY 40211-1961
Tel: (502) 778-2731 • 1 (800) 928-PUMP

Visit our website:
zoellerengineered.com

Product information presented here reflects conditions at time of publication. Consult factory regarding discrepancies or inconsistencies.

TECHNICAL DATA X6180 HAZARDOUS LOCATION SERIES

Class I, Division 1, Groups C & D Rated and Class I, Zone 1, Groups IIA & IIB Gas Areas
OR
Class II, Division 1, Groups E, F & G and Zone 20 Dust Areas
Commercial Duty Effluent



	<input type="checkbox"/> X6186	<input type="checkbox"/> X6188	<input type="checkbox"/> X6189
PUMP NAME PLATE HORSEPOWER:	1.5 HP	1.5 HP	2 HP
SOLID SIZE: in (mm)	3/4" (19mm)	3/4" (19mm)	3/4" (19mm)
MINIMUM HEAD: ft. (m)	5.0' (1.5m)	5.0' (1.5m)	5.0' (1.5m)
MAXIMUM HEAD: ft. (m)	114' (34.7m)	91' (27.7m)	110' (33.5m)
MAX.FLOW GPM (L/min) @ MIN. HEAD ft. (m)	58 GPM @ 5' (229 L/min @ 1.5m)	145 GPM @ 5' (549 L/min @ 1.5m)	145 GPM @ 5' (549 L/min @ 1.5m)
DISCHARGE SIZE: VERTICAL FEMALE	<input type="checkbox"/> 1-1/2" <input type="checkbox"/> 2" <input type="checkbox"/> 3" NPT	<input type="checkbox"/> 1-1/2" <input type="checkbox"/> 2" <input type="checkbox"/> 3" NPT	<input type="checkbox"/> 1-1/2" <input type="checkbox"/> 2" <input type="checkbox"/> 3" NPT

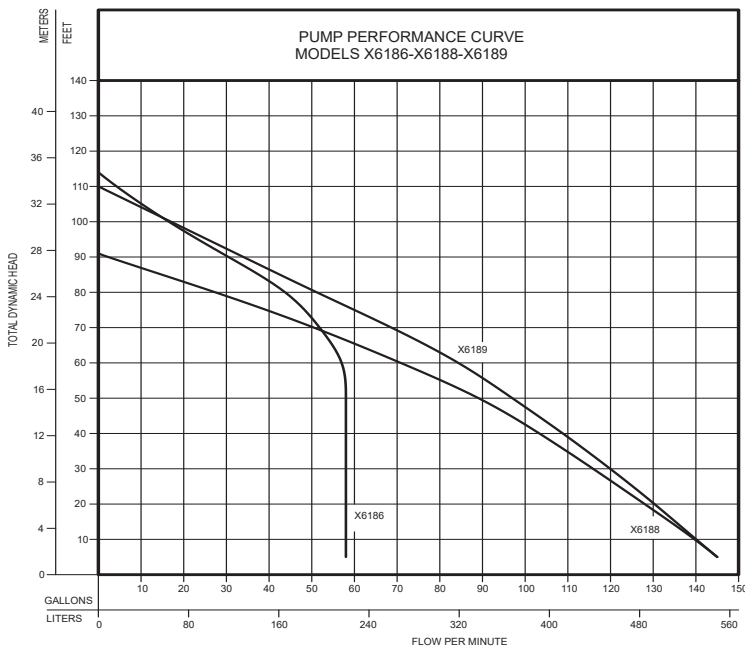
PUMP NET WEIGHT: lbs (kg)	125-133 (57-60 kg)	MOTOR TYPE CSA APPROVED:	SUBMERSIBLE Class 1 Gas Area Certified Class 2 Dust Area Certified
SERVICE FACTOR:	1.0		
MOTOR DESIGN LETTER:	NEMA B	TYPE SOW POWER CORD LENGTH: ft (m)	25' (7.62m) <input type="checkbox"/> Optional 50'
IMPELLER TYPE:	CAST IRON VORTEX	MOTOR SHAFT:	416 S.S.
SQUARE RINGS:	VITON	STATOR AND LEAD WIRES INSULATION:	X6186 - X6189 CLASS F
RPM:	3450	MAXIMUM STATOR TEMPERATURE:	CLASS F 311 °F (155 °C)
SURFACE TEMPERATURE CODE:	T5 (1PH) T6 (3PH)		

SHAFT SEAL CONSTRUCTION:	STANDARD	UPPER-CARBON/CERAMIC, LOWER-SILICON CARBIDE/ CARBON
	OPTIONAL UPPER	<input type="checkbox"/> SILICON CARBIDE/SILICON CARBIDE
	OPTIONAL LOWER	<input type="checkbox"/> SILICON CARBIDE/SILICON CARBIDE
STANDARD SENSING DEVICES*	MOTOR THERMAL SHUTOFF	INTEGRAL OVERLOAD WITH AUTOMATIC RESET - 1 PHASE
		THERMAL SENSOR WITH LEAD WIRES - 3 PHASE
	MOISTURE DETECTION	MOISTURE SENSING PROBES WITH LEAD WIRES
MINIMUM FLUID LEVEL FOR CONTINUOUS OPERATIONS: in (m)	10" (0.25m)	
MAXIMUM WATER TEMPERATURE:	104 °F (40 °C)	

*Requires a circuit in control panel to function.

MODEL	HP	<input type="checkbox"/> 200-208V/1PH		<input type="checkbox"/> 230V/1PH		<input type="checkbox"/> 200-208V/3PH		<input type="checkbox"/> 230V/3PH		<input type="checkbox"/> 460V/3PH	
		FLA	LRA	FLA	LRA	FLA	LRA	FLA	LRA	FLA	LRA
<input type="checkbox"/> X6186	1-1/2	17.2	54.5	13.7	45.7	10.3	45.2	9.2	39.4	4.6	19.7
<input type="checkbox"/> X6188	1-1/2	16.8	54.5	14.0	45.7	10.3	45.2	8.9	39.4	4.6	19.7
<input type="checkbox"/> X6189	2	20.5	54.5	17.1	45.7	13.2	45.2	11.2	39.4	6.0	19.7

Refer to reverse side for Head/Capacity Performance Curves



TOTAL DYNAMIC HEAD/FLOW PER MINUTE EFFLUENT AND DEWATERING

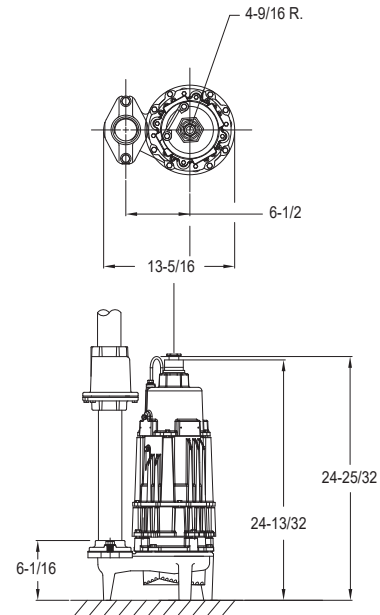
MODELS		X6186		X6188		X6189	
Feet	Meters	Gal.	Liters	Gal.	Liters	Gal.	Liters
5	1.5	58	220	145	549	145	549
10	3.0	58	220	140	530	140	530
20	6.1	58	220	128	484	130.5	494
30	9.1	58	220	116	439	120	454
40	12.2	58	220	103.5	392	109	413
50	15.2	58	220	90	341	97	367
60	18.3	58	220	71	269	85	322
70	21.3	52	197	51	193	69	261
80	24.4	45	170	28	106	51	193
90	27.4	30.5	115	2	8	34	129
100	30.5	16	60	--	--	17	64
110	32	4	15	--	--	--	--
120	36.6	--	--	--	--	--	--
130	39.6	--	--	--	--	--	--
Shut-off Head		114 ft. (35m)		91 ft. (28m)		110 ft. (34m)	

009903

Standard all models - 25 ft. cord - 1.5 HP				
X6186 MODELS	Control Selection			Listings
	Volts	PH	Amps	c CSA us
DX6186	230	1	13.7	Yes
EX6186	230	1	13.7	Yes
HX6186	200	1	17.2	Yes
IX6186	200	1	17.2	Yes
JX6186	200	3	10.3	Yes
FX6186	230	3	9.2	Yes
GX6186	460	3	4.6	Yes

Standard all models - 25 ft. cord - 1.5 HP				
X6188 MODELS	Control Selection			Listings
	Volts	PH	Amps	c CSA us
DX6188	230	1	14.0	No
EX6188	230	1	14.0	Yes
HX6188	200	1	16.8	Yes
IX6188	200	1	16.8	Yes
JX6188	200	3	10.3	Yes
FX6188	230	3	8.9	Yes
GX6188	460	3	4.6	Yes

Standard all models - 25 ft. cord - 2 HP				
X6189 MODELS	Control Selection			Listings
	Volts	PH	Amps	c CSA us
DX6189	230	1	17.1	No
EX6189	230	1	17.1	No ⁽¹⁾
HX6189	200	1	20.5	Yes
IX6189	200	1	20.5	Yes
JX6189	200	3	13.2	Yes
FX6189	230	3	11.2	Yes
GX6189	460	3	6.0	Yes



SK1992

FEATURES

- Durable epoxy coated cast iron construction
- Motor - 1.5 - 2 HP, 60 Hz, 3450 RPM, 1 PH or 3 PH, oil-filled, hermetically sealed.
- Thermal sensor with lead wire (3PH), integral overload with automatic reset (1 PH)
- Bearings - upper and lower ball bearings
- Stainless steel motor shaft
- Dual mechanical shaft seals - upper carbon/ceramic, lower silicon carbide/carbon. Optional seal materials available
- Viton square ring seals
- Impeller - non-clogging cast iron vortex design passes 3/4" spherical solids
- 25 foot listed 3 wire neoprene cord with a 50' cord option.
- No screens to clog
- Stainless steel screws, bolts and handle
- 1-1/2" NPT discharge with 2" or 3" flange available
- Corrosion resistant powder coated epoxy finish
- Moisture sensors for early warning of seal failure.
- 100% computerized tested.



All installation of controls, protection devices and wiring should be done by a qualified licensed electrician. All electrical and safety codes should be followed including the most recent National Electrical Code (NEC) and the Occupational Safety and Health Act (OSHA).