



MAIL TO: P.O. BOX 16347 • Louisville, KY 40256-0347  
SHIP TO: 3649 Cane Run Road • Louisville, KY 40211-1961  
Tel: (502) 778-2731 • 1 (800) 928-PUMP

Visit our website:  
zoellerengineered.com

Product information presented here reflects conditions at time of publication. Consult factory regarding discrepancies or inconsistencies.



## MODELS 7020-7021

### TECHNICAL DATA

### 1.0 & 2.0 HP



|                                    |                               |                               |
|------------------------------------|-------------------------------|-------------------------------|
| <b>MODELS:</b>                     | <input type="checkbox"/> 7020 | <input type="checkbox"/> 7021 |
| <b>PUMP NAME PLATE HORSEPOWER:</b> | 1.0                           | 2.0                           |
| <b>SERVICE FACTOR:</b>             | 1.0                           | 1.0                           |
| <b>MAXIMUM KW INPUT:</b>           | 1.5 (230 V)                   | 2.1 (230 V)                   |
| <b>DISCHARGE SIZE:</b>             | 1.25" NPT                     | 1.25" NPT                     |

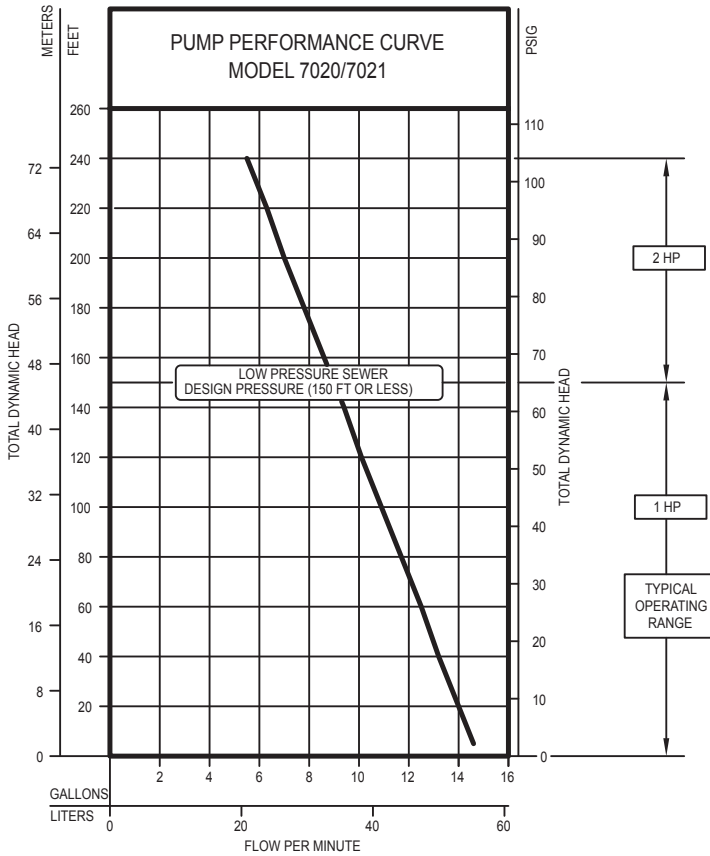
|                             |                                     |  |  |
|-----------------------------|-------------------------------------|--|--|
| <b>IMPELLER TYPE:</b>       | HYDRAULIC HELIX ROTOR               | <b>MECHANICAL SHAFT SEAL:</b>              | TYPE 21  |
| <b>CUTTER &amp; PLATE:</b>  | 440C SS HARDENED TO ROCKWELL C55-60 | <b>MOTOR DESIGN LETTER:</b>                | NEMA L (1Ph)   |
| <b>PUMP NET WEIGHT:</b>     | 100 lbs(45.4 kg)                    | <b>POWER CORD LENGTH: ft (m)</b>           | <input type="checkbox"/> 25' (7.6 m) <input type="checkbox"/> 35' (10.7 m) <input type="checkbox"/> 50' (15.2 m) |
| <b>O-RING &amp; GASKET:</b> | VITON                               | <b>(20' STANDARD)      OPTIONAL:</b>       |  |
| <b>MOTOR SHAFT:</b>         | 416 SS                              | <b>POWER CORD:</b>                         | 16 GAUGE SOOW  |
| <b>RPM:</b>                 | 1750                                | <b>STATOR &amp; LEAD WIRES INSULATION:</b> | CLASS B  |
| <b>MOTOR TYPE:</b>          | SUBMERSIBLE                         | <b>MAXIMUM STATOR TEMPERATURE:</b>         | 266 °F (130 °C)  |

|  |                 |  |
|--|-----------------|--|
| <b>SHAFT SEAL CONSTRUCTION:</b>            | <b>STANDARD</b> | SILICON CARBIDE/CARBON   |
| <b>MOTOR PROTECTION</b>                    |                 | INTEGRAL OVERLOAD  |
| <b>MAXIMUM WATER TEMPERATURE:</b>          |                 | 130 °F (54 °C)   |
| <b>START COMPONENTS: STANDARD INTERNAL</b> |                 | <input type="checkbox"/> OPTIONAL EXTERNAL (INSTALLED IN EXISTING CONTROL PANEL) |

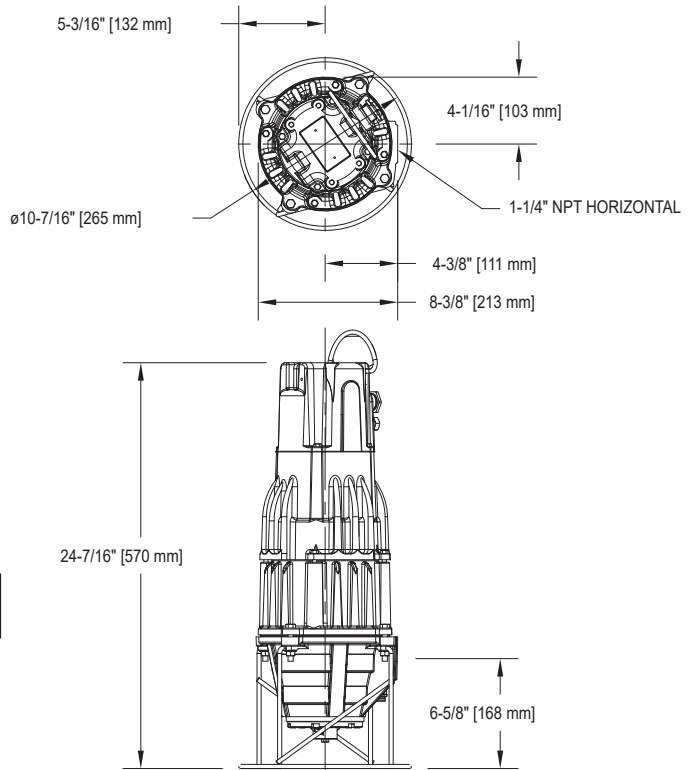
| MODEL | HP | SERVICE FACTOR | <input type="checkbox"/> 200V / 1 PH |      | <input type="checkbox"/> 230V / 1 PH |      |
|-------|----|----------------|--------------------------------------|------|--------------------------------------|------|
|       |    |                | FLA                                  | LRA  | FLA                                  | LRA  |
| 7020  | 1  | 1.0            | N/A                                  | N/A  | 7.0                                  | 24.5 |
| 7021  | 2  | 1.0            | 12.0                                 | 49.5 | 10.5                                 | 44.0 |

Zoeller® Engineered Products • 3649 Cane Run Road • Louisville, Kentucky 40211-1961 • (502) 778-2731

SWPA Data Categories Presented -- Data on this sheet supply design information as the minimum recommended by the Submersible Wastewater Pump Association and is defined in accordance with SWPA's Standardized Definitions for Pump and Motor Characteristics. The accuracy of the data is the responsibility of Zoeller Engineered Products.



018330



SK2533

| Standard all models- 20 Ft. - 1 HP |                   |    |      |        |
|------------------------------------|-------------------|----|------|--------|
| 7020 models                        | Control Selection |    |      | Listed |
|                                    | Volts             | Ph | Amps | cCSAus |
| *E7020                             | 230               | 1  | 7.0  | Yes    |
| RWD7020                            | 230               | 1  | 7.0  | Yes    |

| Standard all models- 20 Ft. - 2 HP |                   |    |      |        |
|------------------------------------|-------------------|----|------|--------|
| 7021 models                        | Control Selection |    |      | Listed |
|                                    | Volts             | Ph | Amps | cCSAus |
| *E7021                             | 230               | 1  | 10.5 | Yes    |
| RWD7021                            | 230               | 1  | 10.5 | Yes    |

\* Molded plug.

## FEATURES

- Durable epoxy coated cast iron construction
- Bearings - upper and lower ball bearing
- Stainless steel motor shaft
- Motor - 1 HP (7020) or 2 HP (7021), 60 Hz, 1750 RPM, 1 PH, oil-filled, hermetically sealed, automatic reset thermal overload protected
- Silicon carbide/carbon shaft seal
- Viton O-ring seals and cover gasket
- UL Listed 20 ft. 3-wire SOW cord with 15 amp plug. Longer cords available in 25', 35' & 50'.
- Hardened 440C stainless steel cutter and disc, Rockwell C55-60
- Stainless steel helix hydraulic pump rotor with integral upper deflection shield
- Buna N hydraulic rotor
- Pressure relief valve
- 304 SS hardware
- SS mounting stand for free standing installation
- 100% computerized tested