

Trusted. Tested. Tough.®



SECTION: Z3.10.100
 ZM2392
 1224
 Supersedes
 0224

MAIL TO: P.O. BOX 16347 • Louisville, KY 40256-0347
 SHIP TO: 3649 Cane Run Road • Louisville, KY 40211-1961
 Tel: (502) 778-2731 • 1 (800) 928-PUMP

Visit our website:
 zoellerengineered.com

Product information presented here reflects conditions at time of publication. Consult factory regarding discrepancies or inconsistencies.



MODELS 7008 & 7010

TECHNICAL DATA

1.0 & 2.0 HP

| | | |
|------------------------------------|--|-------------------------------|
| MODELS: | <input type="checkbox"/> 7008 | <input type="checkbox"/> 7010 |
| PUMP NAME PLATE HORSEPOWER: | 1.0 | 2.0 |
| SERVICE FACTOR: | 1.2 | 1.2 |
| MAXIMUM KW INPUT: | 2.1 | 3.4 |
| STANDARD IMPELLER DIAMETER: | 4.25" | 5.825" |
| DISCHARGE SIZE: | <input type="checkbox"/> 1.25" VERTICAL OR <input type="checkbox"/> 1.25" HORIZONTAL | |

| | | | |
|-----------------------------|-------------------------------------|---|---|
| IMPELLER TYPE: | VORTEX, ENGINEERED PLASTIC | MECHANICAL SHAFT SEAL: | TYPE 6A |
| CUTTER & PLATE: | 440C SS HARDENED TO ROCKWELL C55-60 | MOTOR DESIGN LETTER: | NEMA L (1Ph) |
| PUMP NET WEIGHT: | 88 lbs. (39.9 kg) | POWER CORD LENGTH: ft (m) (20' STANDARD) OPTIONAL: | <input type="checkbox"/> 25' <input type="checkbox"/> 35' <input type="checkbox"/> 50' (7.6 m) (10.7 m) (15.2 m) |
| O-RING & GASKET: | VITON | | |
| MOTOR SHAFT: | 416 SS | POWER CORD: | 14 GAUGE SOOW |
| RPM: | 3450 | STATOR & LEAD WIRES INSULATION: | CLASS B |
| MOTOR TYPE: | SUBMERSIBLE | MAXIMUM STATOR TEMPERATURE: | 266 °F (130 °C) |

| | | |
|--|--|--|
| SHAFT SEAL CONSTRUCTION: | STANDARD | SILICON CARBIDE/CARBON |
| | OPTIONAL | <input type="checkbox"/> SILICON CARBIDE/SILICON CARBIDE |
| MOTOR PROTECTION | INTEGRAL OVERLOAD (1 PH) | |
| IMPELLER MATERIAL | ENGINEERED PLASTIC | |
| MAXIMUM WATER TEMPERATURE: | 130 °F (54 °C) | |
| START COMPONENTS: STANDARD INTERNAL | <input type="checkbox"/> OPTIONAL EXTERNAL (INSTALLED IN EXISTING CONTROL PANEL) | |

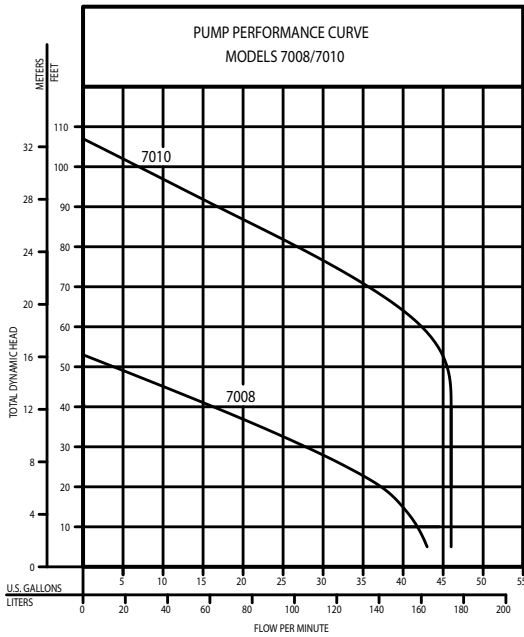
| MODEL | HP | SERVICE FACTOR | <input type="checkbox"/> 115V / 1 PH | | <input type="checkbox"/> 200-230V / 1 PH | |
|-------|-----|----------------|--------------------------------------|------|--|-------------|
| | | | FLA | LRA | FLA | LRA |
| 7008 | 1.0 | 1.2 | 13.6 | 46.0 | 9.9(8.6)* | 46.0(57.0)* |
| 7010 | 2.0 | 1.2 | -- | -- | 14.5(13.7)* | 46.0(57.0)* |

*DENOTES ELECTRICAL VALUE AT HIGHER VOLTAGE

Zoeller® Engineered Products • 3649 Cane Run Road • Louisville, Kentucky 40211-1961 • (502) 778-2731

SWPA Data Categories Presented -- Data on this sheet supply design information as the minimum recommended by the Submersible Wastewater Pump Association and is defined in accordance with SWPA's Standardized Definitions for Pump and Motor Characteristics. The accuracy of the data is the responsibility of Zoeller Engineered Products.

© Copyright 2024 Zoeller® Co. All rights reserved.



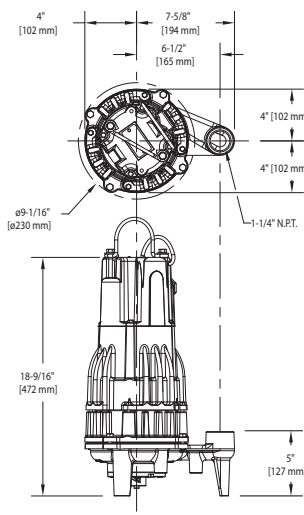
154108

**TOTAL DYNAMIC HEAD/FLOW
PER MINUTE
SEWAGE AND DEWATERING**

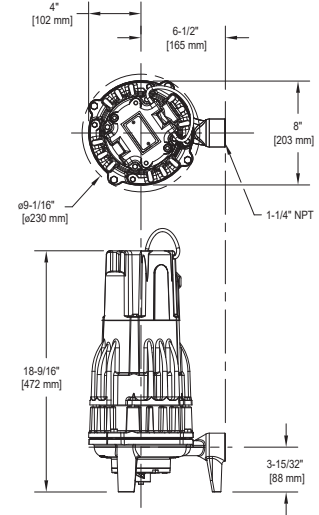
| MODEL | | 7008 | | 7010 | |
|----------------|--------|----------------|--------|-----------------|--------|
| Feet | Meters | Gal. | Liters | Gal. | Liters |
| 5 | 1.5 | 43 | 163 | 46 | 174 |
| 10 | 3.0 | 42 | 159 | 46 | 174 |
| 15 | 4.6 | 40 | 151 | 46 | 174 |
| 20 | 6.1 | 37 | 140 | 46 | 174 |
| 25 | 7.6 | 33 | 125 | 46 | 174 |
| 30 | 9.1 | 28 | 106 | 46 | 174 |
| 35 | 10.7 | 22 | 83 | 46 | 174 |
| 40 | 12.2 | 16.5 | 62 | 46 | 174 |
| 50 | 15.2 | - | - | 46 | 174 |
| 60 | 18.3 | - | - | 43 | 163 |
| 70 | 21.3 | - | - | 36 | 136 |
| 80 | 24.4 | - | - | 27 | 102 |
| 90 | 27.4 | - | - | 16.7 | 63 |
| 100 | 30.5 | - | - | 7 | 26 |
| Shut-off Head: | | 53 ft. (16.2m) | | 107 ft. (32.6m) | |

| Standard all models - 20 ft. cord - 1 HP | | | | |
|--|-----------------|----|------|--------|
| 7008 Models | Control Section | | | Listed |
| | Volts | Ph | Amps | cCSAus |
| WM7008* | 115 | 1 | 13.6 | Yes |
| N7008 | 115 | 1 | 13.6 | Yes |
| WDH7008* | 200-230 | 1 | 9.9 | Yes |
| EI7008 | 200-230 | 1 | 9.9 | Yes |

| Standard all models - 20 ft. cord - 2 HP | | | | |
|--|-----------------|----|------|--------|
| 7010 Models | Control Section | | | Listed |
| | Volts | Ph | Amps | cCSAus |
| WDH7010* | 200 - 230 | 1 | 14.5 | Yes |
| EI7010 | 200 - 230 | 1 | 14.5 | Yes |



SK1621



SK3352

*Automatic pump with variable level float switch

FEATURES

- Durable epoxy coated cast iron construction
- Bearings - upper and lower ball bearing
- Stainless steel motor shaft
- Motor - 1 or 2 HP, 60 Hz, 1750 RPM, 3450 RPM, 1 PH, oil-filled, hermetically sealed, automatic reset thermal overload protected
- Silicon carbide/carbon shaft seal.
- Viton O-ring seals and cover gasket
- Impeller - non-clogging engineered plastic vortex impeller with metal insert
- 20 for UL listed 3-wire SOOW cord. Longer cords available in 25', 35' & 50'.
- Hardened 440C stainless steel cutter and disc, Rockwell C55-60
- 304 SS hardware
- 1.25 NPT Horizontal or Vertical discharge
- 100% computerized tested