

Trusted. Tested. Tough.®



SECTION: Z5.20.200  
ZM3385  
0225  
Supersedes  
0724

MAIL TO: P.O. BOX 16347 • Louisville, KY 40256-0347  
SHIP TO: 3649 Cane Run Road • Louisville, KY 40211-1961  
Tel: (502) 778-2731 • 1 (800) 928-PUMP

Visit our website:  
zoellerengineered.com

Product information presented here reflects conditions at time of publication. Consult factory regarding discrepancies or inconsistencies.

## TECHNICAL DATA

### X6290 HAZARDOUS LOCATION SERIES

Class I, Division 1, Groups C & D Rated and Class I, Zone 1, Groups IIA & IIB Gas Areas

or

Class II, Division 1, Groups E, F & G and Zone 20 Dust Areas

Commercial Duty Sewage



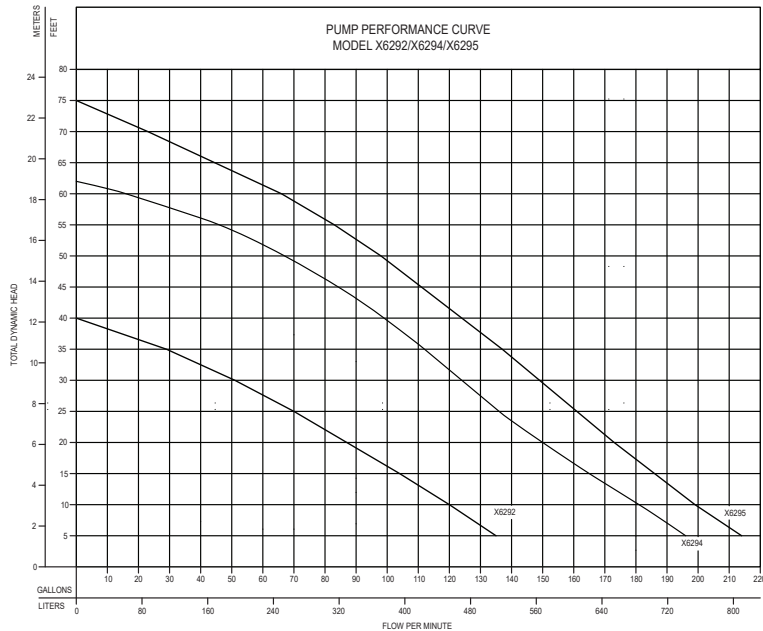
<b>MODEL NUMBER:</b>	<input type="checkbox"/> X6292	<input type="checkbox"/> X6294	<input type="checkbox"/> X6295
<b>PUMP NAME PLATE HORSEPOWER: HP</b>	1/2	1-1/2	2
<b>SOLID SIZE: IN (MM)</b>	2" (50 mm)	2" (50 mm)	2" (50 mm)
<b>MAXIMUM HEAD: FT. (M)</b>	40' (12.2m)	62' (18.9m)	75' (22.9)
<b>MAX.FLOW GPM (L/min) @ MIN. HEAD ft. (m).</b>	135 GPM @ 5' (511 L/min @ 1.5m)	196 GPM @ 5' (742 L/min @ 1.5m)	214 GPM @ 5' (810L/min @ 1.5m)
<b>DISCHARGE SIZE:</b>	<input type="checkbox"/> 2" NPT; Optional Flange, order: <input type="checkbox"/> 3" NPT (10-1306)		

<b>PUMP NET WEIGHT: lbs (kg)</b>	129 (58.5 kg)	<b>MOTOR TYPE CSA APPROVED:</b>	SUBMERSIBLE Class 1 Gas Area Certified Class 2 Dust Area Certified
<b>SERVICE FACTOR:</b>	1.0		
<b>MOTOR DESIGN LETTER:</b>	NEMA B	<b>TYPE SOW POWER CORD LENGTH: ft (m)</b>	25' (7.62m) <input type="checkbox"/> Optional 50'
<b>IMPELLER TYPE:</b>	CAST IRON VORTEX	<b>MOTOR SHAFT:</b>	416 S.S.
<b>SQUARE RINGS:</b>	VITON	<b>STATOR AND LEAD WIRES INSULATION:</b>	X6292 CLASS B
<b>RPM:</b>	3450		X6294 - X6295 CLASS F
<b>SURFACE TEMPERATURE CODE:</b>	T5 (1PH) T6 (3PH)	<b>MAXIMUM STATOR TEMPERATURE:</b>	CLASS B 266 °F (130 °C)
			CLASS F 311 °F (155 °C)

<b>SHAFT SEAL CONSTRUCTION:</b>	<b>STANDARD</b>	UPPER-CARBON/CERAMIC, LOWER-SILICON CARBIDE/ CARBON
	<b>OPTIONAL UPPER</b>	<input type="checkbox"/> SILICON CARBIDE/SILICON CARBIDE
	<b>OPTIONAL LOWER</b>	<input type="checkbox"/> SILICON CARBIDE/SILICON CARBIDE
<b>STANDARD SENSING DEVICES*</b>	<b>MOTOR THERMAL SHUTOFF</b>	INTEGRAL OVERLOAD WITH AUTOMATIC RESET - 1 PHASE
		THERMAL SENSOR WITH LEAD WIRES - 3 PHASE
	<b>MOISTURE DETECTION</b>	MOISTURE SENSING PROBES WITH LEAD WIRES
<b>MINIMUM FLUID LEVEL FOR CONTINUOUS OPERATIONS: in (m)</b>	10" (0.25m)	
<b>MAXIMUM WATER TEMPERATURE:</b>	104 °F (40 °C)	

\*Requires a circuit in control panel to function.

MODEL	HP	<input type="checkbox"/> 115V/1PHASE	<input type="checkbox"/> 200V/1PHASE	<input type="checkbox"/> 230V/1PHASE	<input type="checkbox"/> 200V/3PHASE	<input type="checkbox"/> 230V/3PHASE	<input type="checkbox"/> 460V/3PHASE
		FLA	FLA	FLA	FLA	FLA	FLA
X6292	1/2	15.0	--	--	--	--	--
X6294	1-1/2	N/A	17.8	13.7	10.8	9.5	4.8
X6295	2	N/A	20.5	17.1	14.3	12.2	6.1



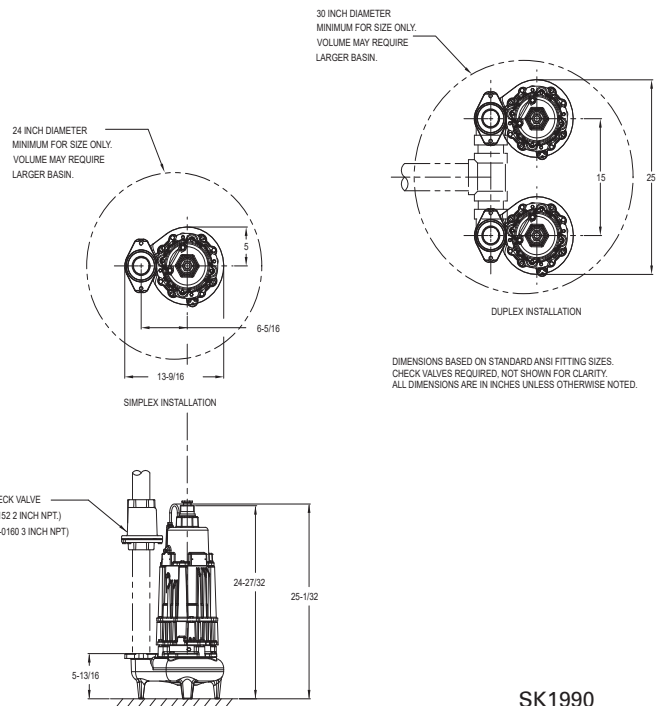
MODEL	X6292		X6294		X6295		
	Feet	Meters	Gal.	Liters	Gal.	Liters	
5	1.5	135	511	196	742	214	810
10	3.0	120	454	181	685	199	753
15	4.6	104	394	165	625	186	704
20	6.1	87	329	150	568	173	655
25	7.6	70	265	136	515	161	609
30	9.1	51	193	124	469	149	564
35	10.7	29	110	112	424	137	519
40	12.2	--	--	99	375	124	469
50	15.2	--	--	67	254	98	371
55	16.8	--	--	46	174	83	314
60	18.3	--	--	16	61	66	250
70	21.3	--	--	--	--	23	87
Shut-off Head:		40 ft.(12.2m)		62 ft.(18.9m)		75 ft.(22.9m)	

009919

Standard all models - 25 ft. (7.6 m) cord - 1/2 HP				
X6292 MODELS	Control Selection			Listings
	Volts	PH	Amps	c CSA us
MX6292	115	1	15.0	Yes
NX6292	115	1	15.0	Yes

Standard all models - 25 ft. (7.6 m) cord - 1-1/2 HP				
X6294 MODELS	Control Selection			Listings
	Volts	PH	Amps	c CSA us
DX6294	230	1	13.7	Yes
HX6294	200	1	17.8	Yes
EX6294	230	1	13.7	Yes
IX6294	200	1	17.8	Yes
JX6294	200	3	10.8	Yes
FX6294	230	3	9.5	Yes
GX6294	460	3	4.8	Yes

Standard all models - 25 ft. (7.6 m) cord - 2 HP				
X6295 MODELS	Control Selection			Listings
	Volts	PH	Amps	c CSA us
DX6295	230	1	17.1	Yes
HX6295	200	1	20.5	Yes
EX6295	230	1	17.1	No <sup>(1)</sup>
IX6295	200	1	20.5	Yes
JX6295	200	3	14.3	Yes
FX6295	230	3	12.2	Yes
GX6295	460	3	6.1	Yes



SK1990

## FEATURES

- Durable epoxy coated cast iron construction.
- Motor - 1/2 - 1 hp, 60 hz, 3450 rpm, 1 ph or 3 ph, oil filled, hermetically sealed
- Thermal sensor with lead wire (3PH), integral overload with automatic reset (1 PH)
- Bearings - upper and lower ball bearings
- Stainless steel motor shaft.
- Dual mechanical shaft seals - upper carbon/ceramic, lower silicon carbide/carbon. Optional seal materials available
- Viton o-ring seals and cover gasket
- Impeller - non-clogging cast iron vortex design passes 2" spherical solids.
- 25 foot listed 3 wire neoprene cord with a 50' cord option.
- No screens to clog.
- Stainless steel screws, bolts and handle.
- 2" NPT discharge with 3" flange available.
- Corrosion resistant powder coated epoxy inish.
- Moisture sensors for early warning of seal failure.
- 100% Computerized tested.



All installation of controls, protection devices and wiring should be done by a qualified licensed electrician. All electrical and safety codes should be followed including the most recent National Electrical Code (NEC) and the Occupational Safety and Health Act (OSHA).